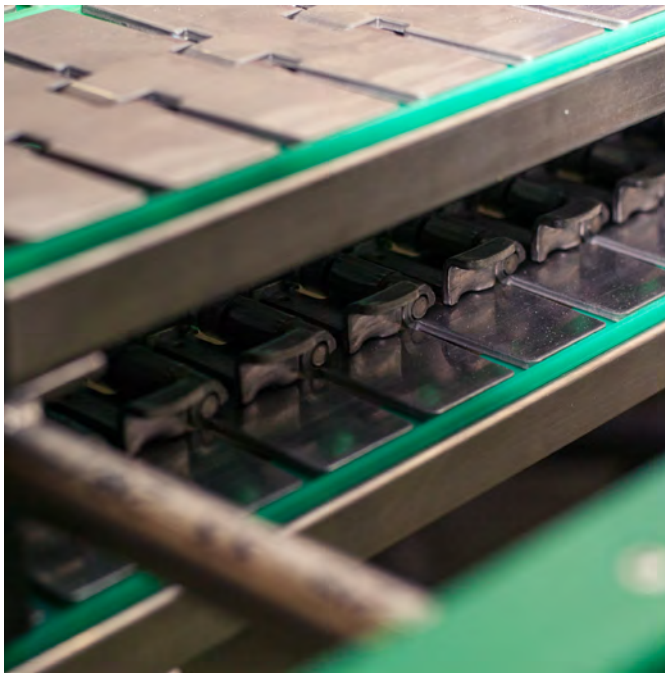
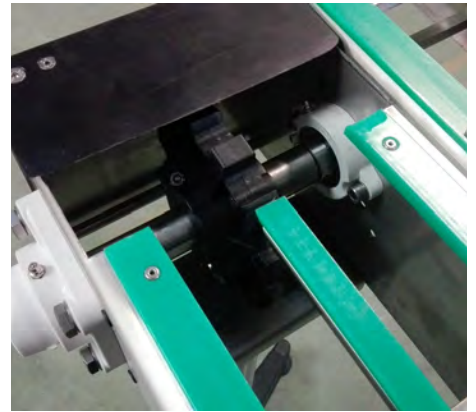
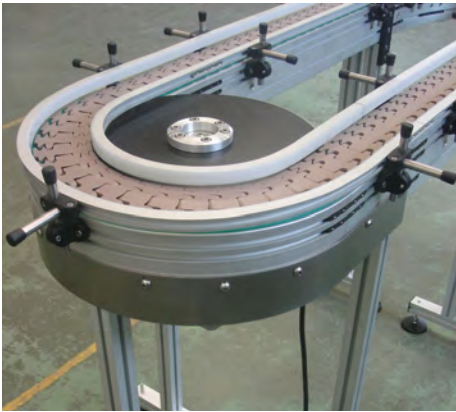
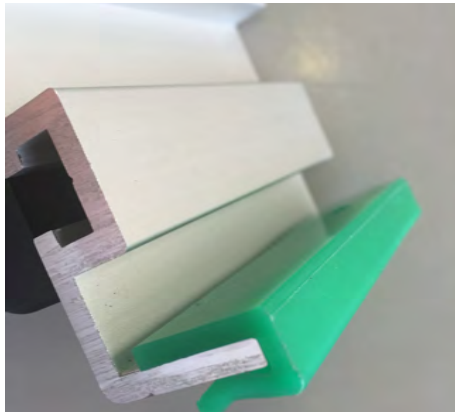


Profiles, Wearstrips & Guides - Product Overview



Welcome to Ammeraal Beltech's Profiles, Wearstrips and Guides Range



As Ammeraal Beltech, we are leaders in the conveying industry, offering complete solutions for customers worldwide with its extensive range of products and customer-centric approach.

We are specialist in designing, developing, and manufacturing conveyor profiles, wearstrips, and guides. Therefore, our products are made out of high-performance and ultra-high molecular weight Polyethylene. We operate in a variety of industries, including food and beverage and container packaging.

Our DESLIDUR product line is a standout, trusted by the canning, packaging, and bottling industries, for its superior sliding properties, abrasion resistance, and silent operation. It is the best choice for a variety of applications such as product guiding profiles, chains and belts sliding strips, and more.

Our focus on energy efficiency and hygiene, coupled with our commitment to using the latest technology and industrial knowledge, ensures that we provide our customers with the best possible experience.

As a member of the AMMEGA Group, Ammeraal Beltech is your one-stop-shop for all your conveyor system needs.

For more information, such as distance between wearstrips and chain/belt please check the engineering manual at



<https://www.ammeraalbeltech.com/globalassets/documents/technical-manuals/uni-engineering-manual-en.pdf>

or scan the qr code.

ONE **OP**
STOP **SH**
belt

local stock
quick belt replacement
short delivery time
24/7 service

Deslidur UHMW-PE

Ultra-High Molecular Weight Polyethylene

DESLIDUR, a variant of UHMW-PE with a molecular weight of 8,000,000 g/mol, has advantages such as:

- The lowest friction coefficient and reduced noise
- High resistance to wear and tear
- Low energy consumption, reducing power requirements
- Self-lubricating properties, eliminating the need for maintenance
- Excellent chemical resistance
- Waterproof rot-free material
- Wide working temperature range of -40°C to 80°C
- Certified by EU regulations and the FDA, safe for use in direct contact with food
- Recyclability

Our factory employs advanced technology to manufacture and process "DESLIDUR" using extrusion techniques. The resulting material offers high resistance to impact and flexibility, making it a durable solution for applications where mechanical components are exposed to extreme stress.

Same quality and performance in different colours:



Deslidur WRB

Wear Resistance Blue

DESLIDUR WRB is a modified version, with special additives to improve tribological properties, of our standard DESLIDUR, including:

- Improved friction coefficient
- Superior resistance to wear and tear
- Lower energy consumption, reducing power requirements
- Reduced Stick-Slip effect
- Lower risk of pulsations

This material is exclusively offered in the following colour:



Applications

UHMW-PE is widely used for conveyor wearstrips, guides, rollers, and other components such as belt guides, chain guides, product guides, and more. Its outstanding tribological and chemical properties make UHMW-PE an ideal choice for various applications in industries such as packaging, bottling, food, automotive, and printing.



Material Selection

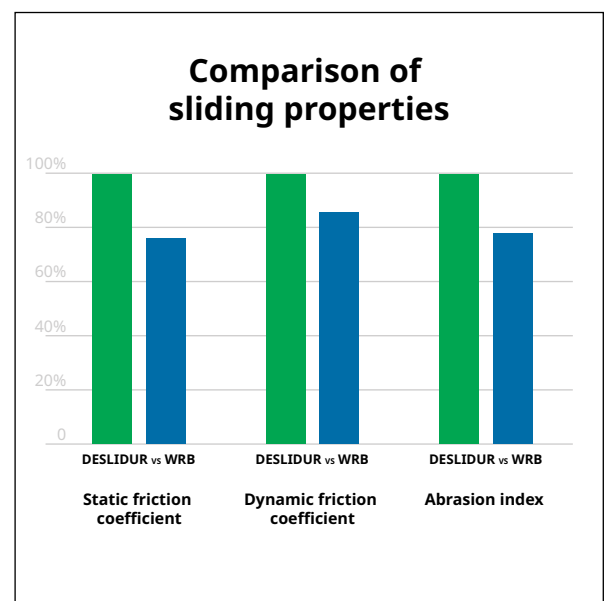
Get 20% more durability and performance with Deslidur WRB over standard Deslidur.

Improve energy efficiency with DESLIDUR WRB

As energy prices continue to rise over time, it is becoming more crucial to minimise energy costs in the planning of manufacturing, storage, and transportation processes. By using components that have been designed to slide more efficiently in conveying processes, the amount of power required for conveying can be significantly reduced, resulting in lower energy consumption. This can lead to substantial improvements in plant's efficiency and performance.

Reduced coefficient of friction with DESLIDUR WRB

Ammeraal Beltech has created a new type of high-performance material, which is made out of UHMW-PE and has exceptional dry-running properties. This material was specifically developed for use in materials handling technology and automation processes. By utilising this new material, the coefficient of friction can be reduced by up to 20% when compared to conventional materials used in sliding applications. As a result, conveyor systems that are equipped with this UHMW-PE DESLIDUR WRB material require much less energy, and the system's process stability is enhanced while the noise level is greatly reduced.



Friction coefficients tested following UNE-EN ISO 8295
Abrasion Index tested following ISO 15527

Profiles, Wearstrips and Guides

Standard material: UHMW-PE "DESLIDUR"

Replace # by colour code to complete the reference number

Colour codes: 1 | 2 | 3 | 6

Wearstrips and guides

See right side table 50m

H	Ref.	W [mm]										
		10	15	20	25	30	35	40	45	50	60	70
2	P#	0098	0090	0091	0092	0093	0094	0095	0096	0097	-	-
3	P#	-	0100	0101	0102	0103	0104	0105	0106	0107	0109	0111
4	P#	-	-	0151	0152	1053	0154	0155	0156	0157	-	-
5	P#	-	0120	0121	0122	0123	0124	0125	0126	0127	-	-

P#0240 25m

Std:

P#0250 50m

Std:

P#0253 50m

Std:

P#0254 50m

Std:

P#0258 50m

Std:

P#0256 50m

Std:

P#0249 50m

Std:

P#0257 2m

Std:

P#0255 50m

Std:

P#0312 2m

Std:

P#0311 2m

Std:

P#0310 2m

Std:

P#0373 2m

Std:

P#0320 2m

Std:

P#0322 2m

Std:

P#0269 50m

Std:

P#0274 50m

Std:

P#0282 50m

Std:

P#0275 50m

Std:

P#0271 50m

Std:

P#0283 50m

Std:

1.5-3mm plate

1.5-3mm plate

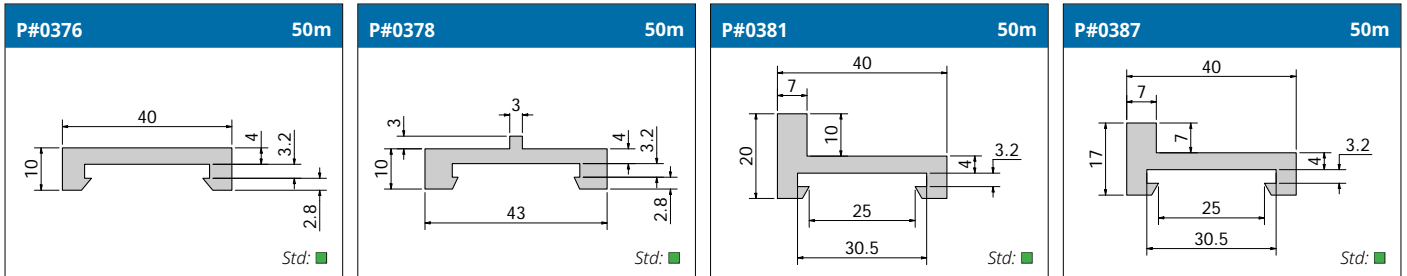
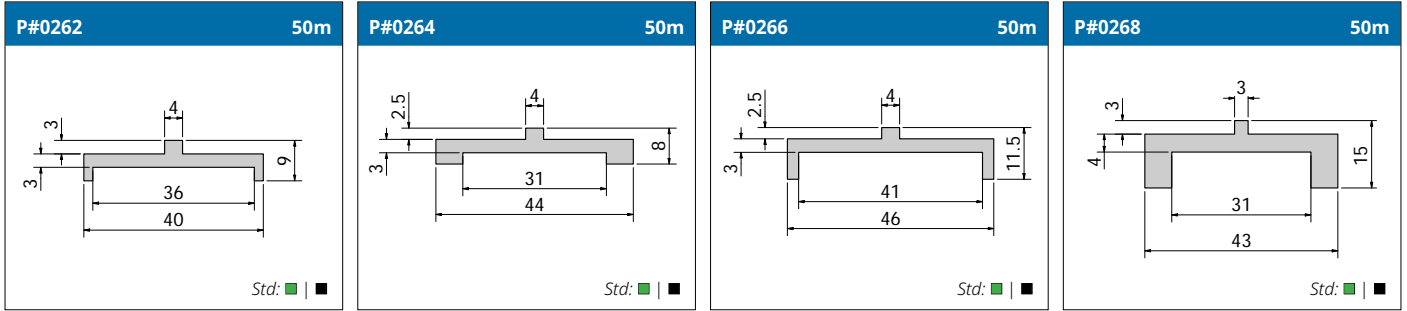
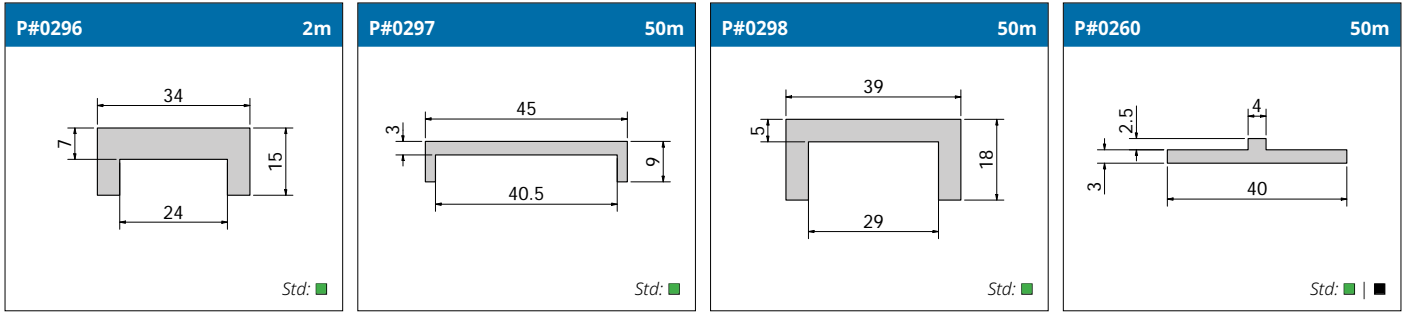
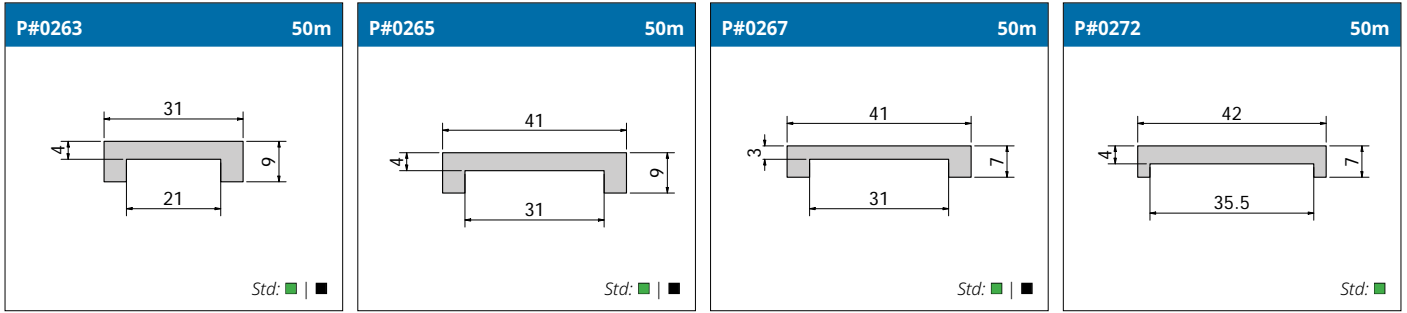
1.5-3mm plate

1.5-3mm plate

Profiles, Wearstrips and Guides

Wearstrips and guides

Standard material: UHMW-PE "DESLIDUR"
 Replace # by colour code to complete the reference number
 Colour codes: □ 1 | ■ 2 | ■ 3 | ■ 6

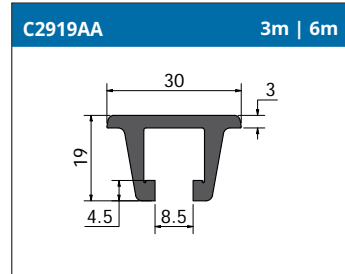
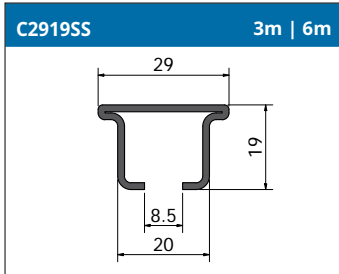


Profile with metal guide PSS#0376

Profile with metal guide PSS#0378

Profile with metal guide PSS#0381

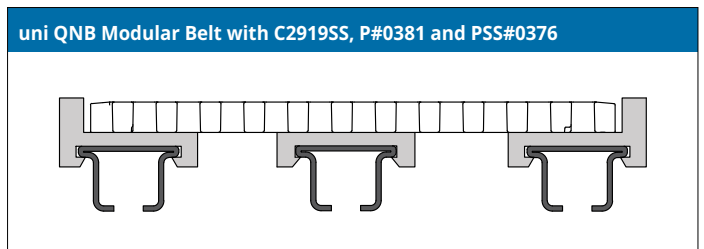
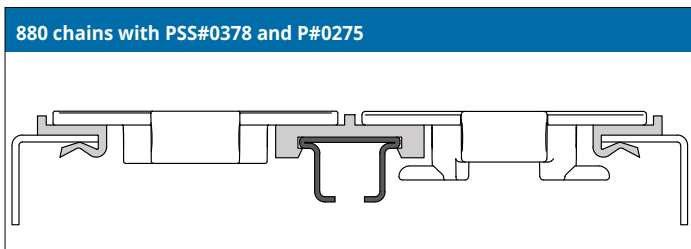
Profile with metal guide PSS#0387



Available in stainless steel SS304 or SS430

Available in aluminium

Example of application



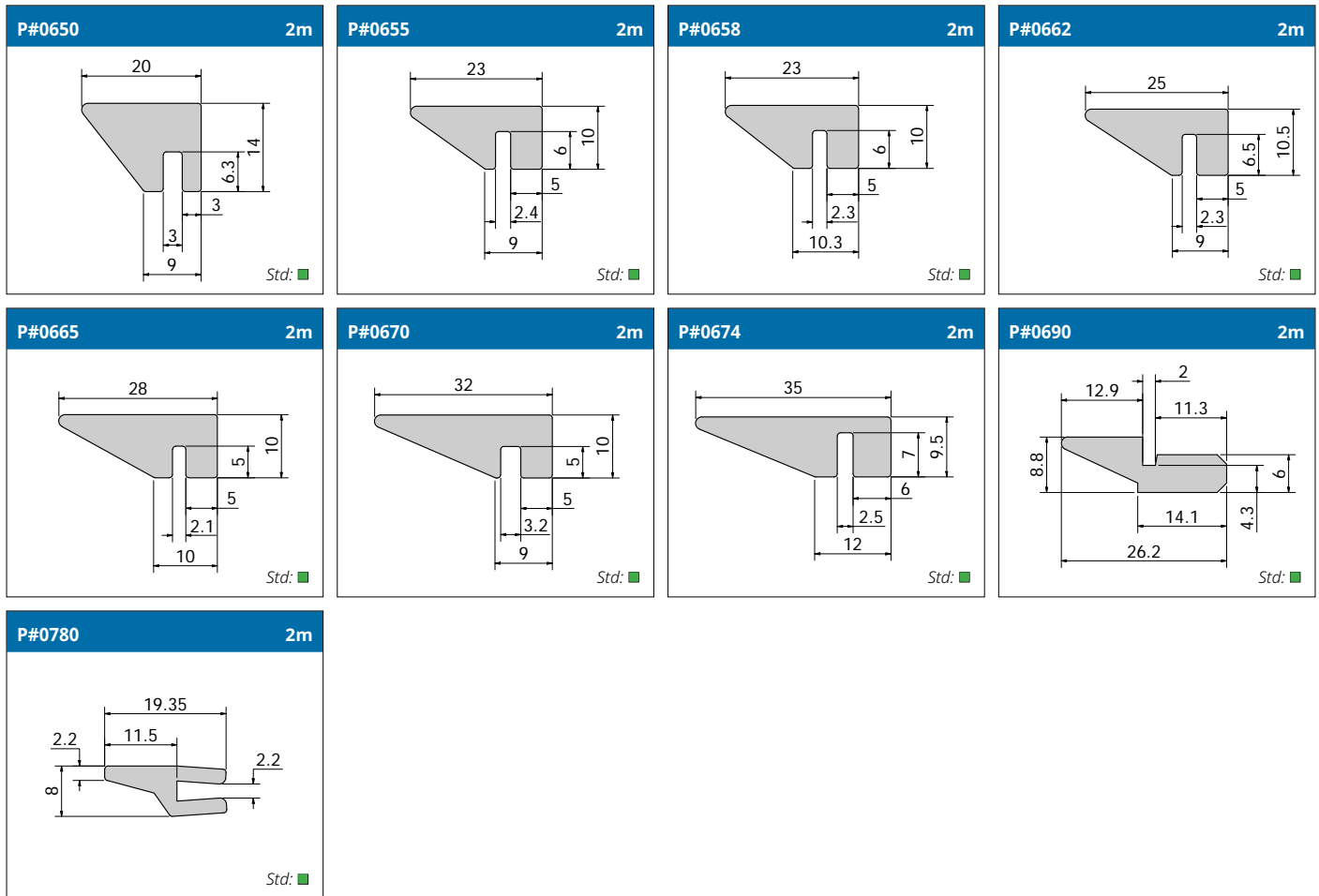
Profiles, Wearstrips and Guides

Standard material: UHMW-PE "DESLIDUR"

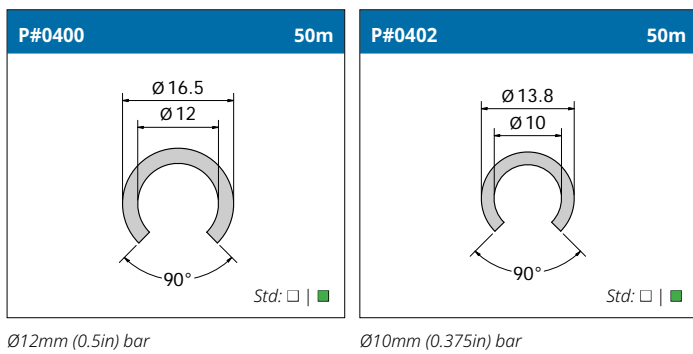
Replace # by colour code to complete the reference number

Colour codes: □ 1 | ■ 2 | ■ 3 | ■ 6

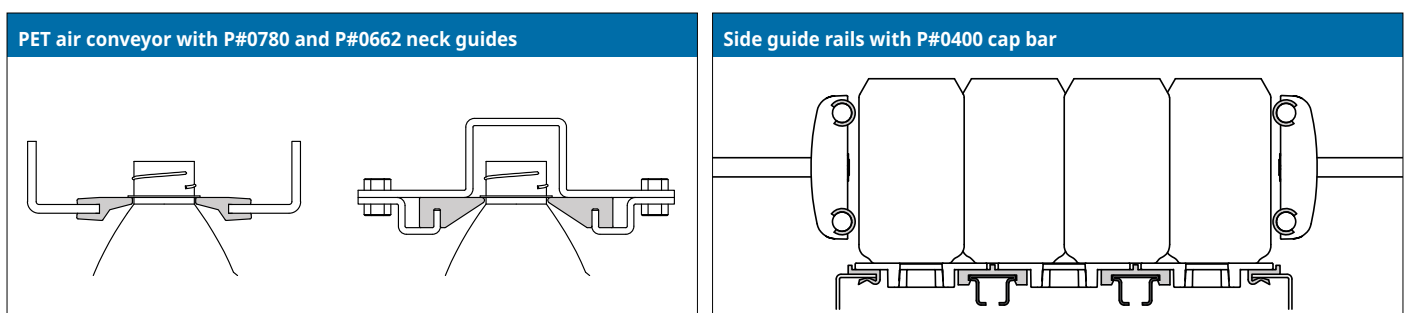
Neck guides



Cap bars



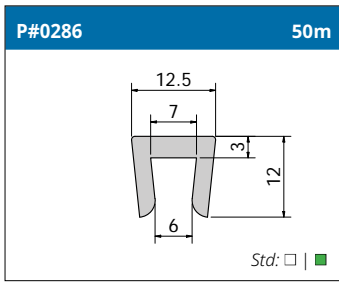
Example of application



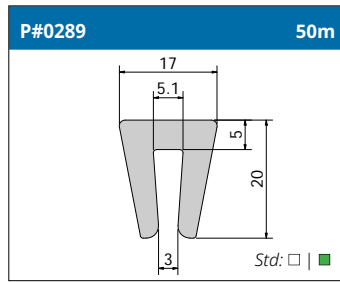
Profiles, Wearstrips and Guides

Wearstrips and Guides for uni Modular, Soliflex PRO and AMMdrive Belts.

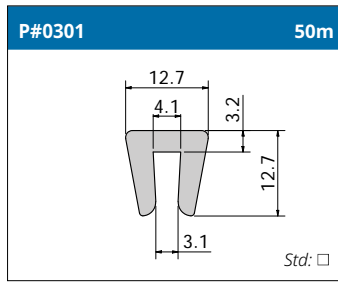
Standard material: UHMW-PE "DESLIDUR"
 Replace # by colour code to complete the reference number
 Colour codes: □ 1 | ■ 2 | ■ 3 | ■ 6



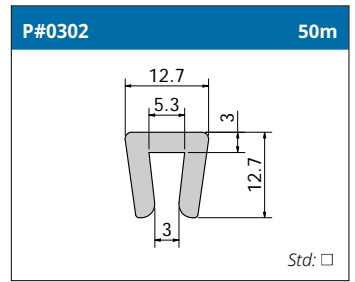
6-7mm plate



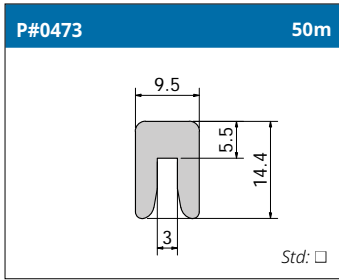
4-5mm plate



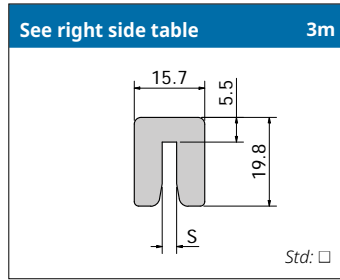
3-4mm plate



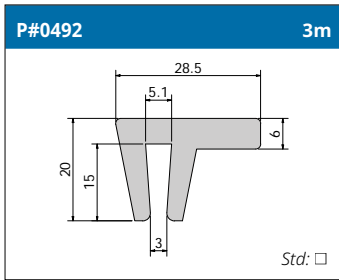
4-5mm plate



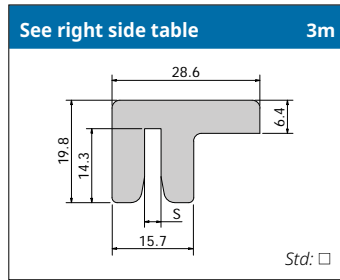
3mm plate



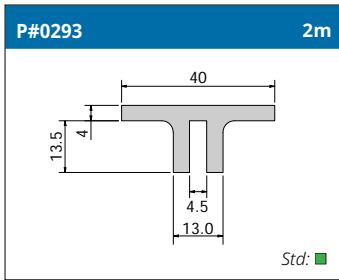
Ref.	S (mm)	Plate thickness
P#0462.L3	2.2	2
P#0464.L3	2.7	2.5
P#0467.L3	3.2	3
P#0469.L3	4.5	4
P#0471.L3	5.2	5



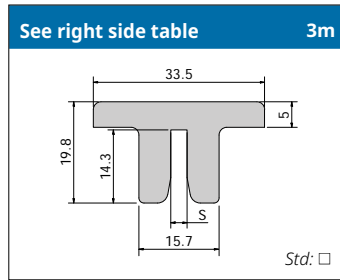
3-5mm plate



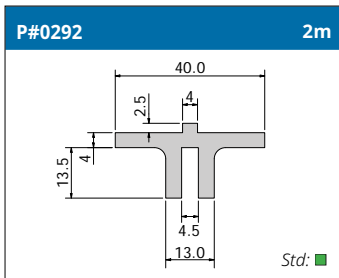
Ref.	S (mm)	Plate thickness
P#0494.L3	2.2	2
P#0495.L3	2.7	2.5
P#0496.L3	3.2	3
P#0497.L3	4.5	4
P#0498.L3	5.2	5



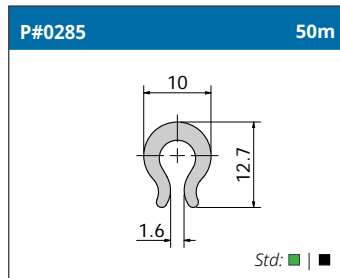
4mm plate



Ref.	S (mm)	Plate thickness
P#0480.L3	2.2	2
P#0482.L3	2.7	2.5
P#0485.L3	3.2	3
P#0488.L3	4.5	4
P#0490.L3	5.2	5



4mm plate

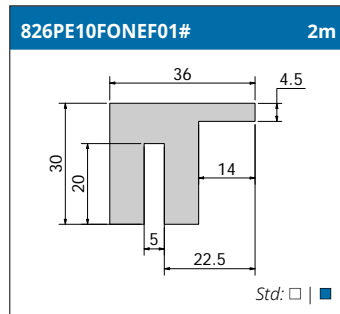
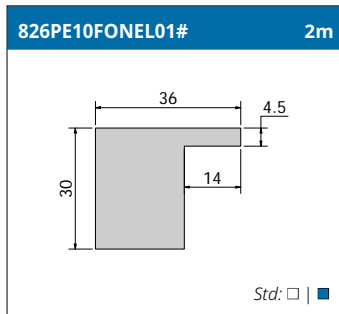


2-3mm plate

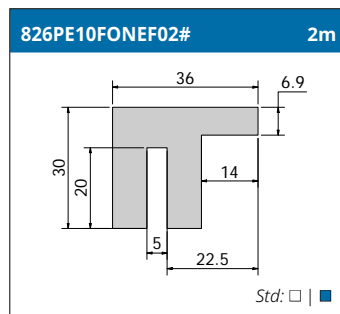
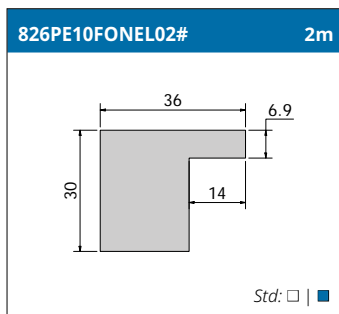
Profiles, Wearstrips and Guides

Modular belt guides | Flex One O / EO

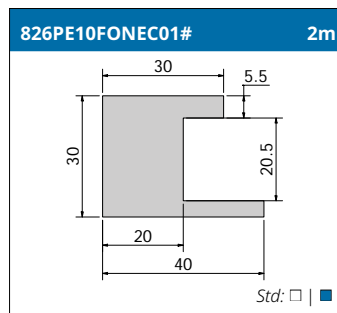
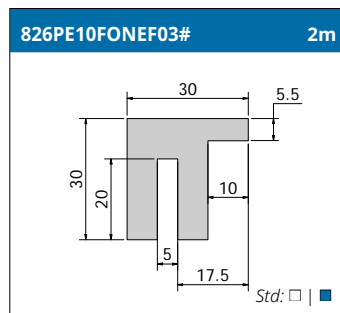
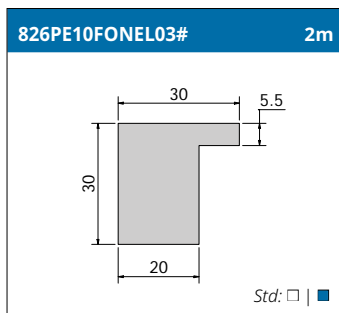
Standard material: UHMW-PE "DESLIDUR"
 Replace # by colour code to complete the reference number
 Colour codes: □ W | ■ E | ■ K | ■ B



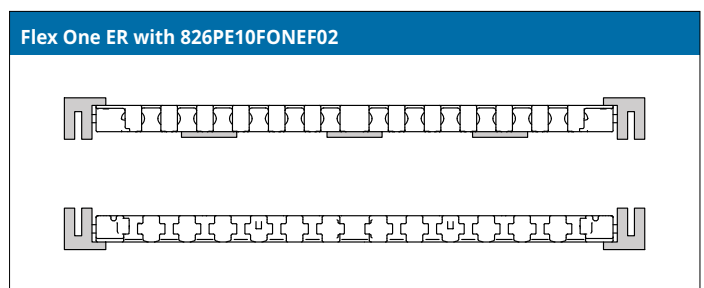
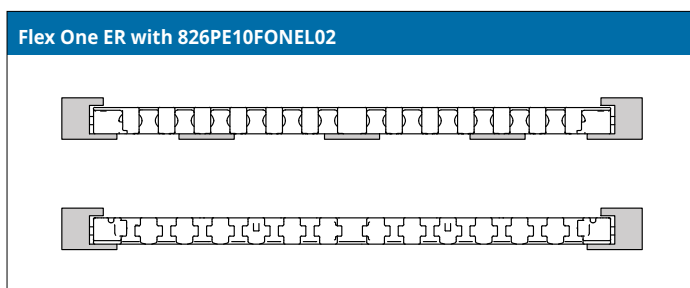
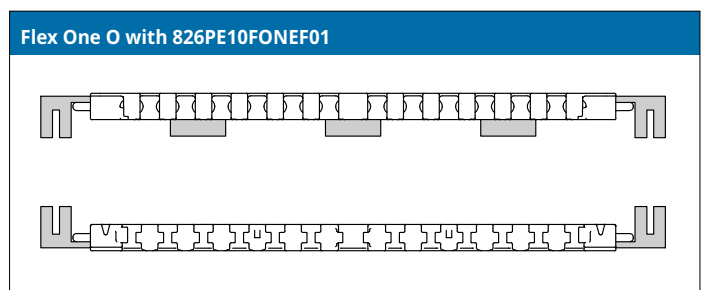
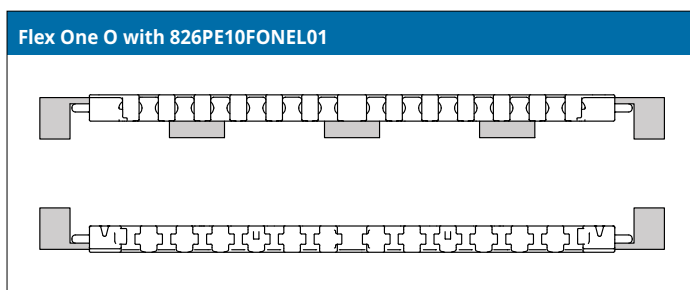
Modular belt guides | Flex One EOO



Modular belt guides | Flex One EW / ER



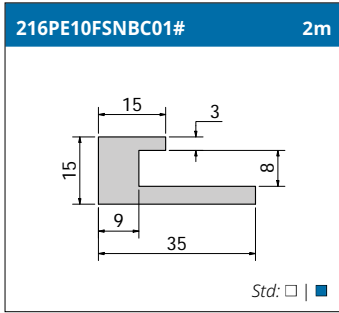
Example of application



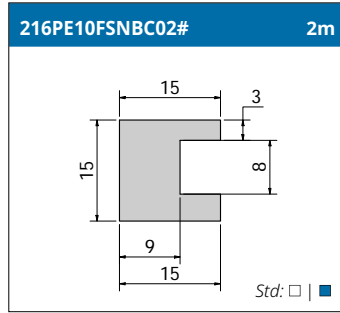
Profiles, Wearstrips and Guides

Modular belt guides | uni Flex SNB series

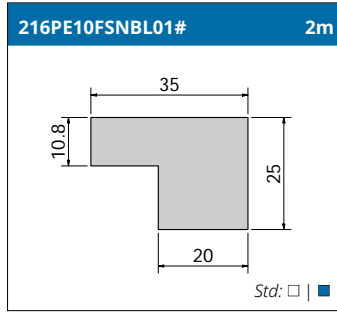
Standard material: UHMW-PE "DESLIDUR"
 Replace # by colour code to complete the reference number
 Colour codes: □ W | ■ E | ■ K | ■ B



Flex SNB O-TAB

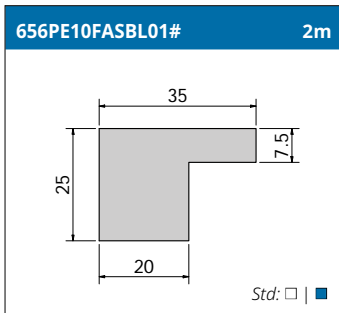


Flex SNB O-TAB

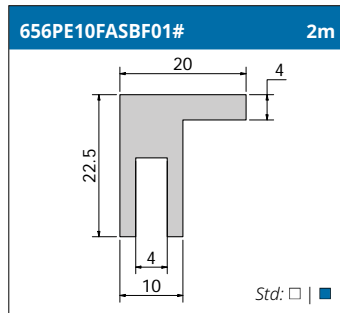


Flex SNB WT

Modular belt guides | uni Flex ASB series

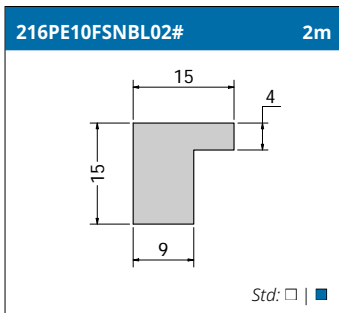


Flex ASB

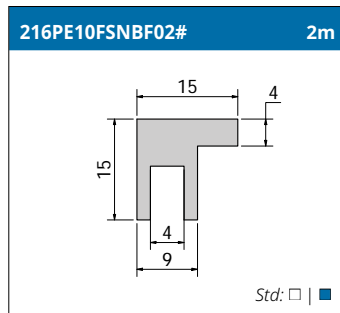


Flex ASB

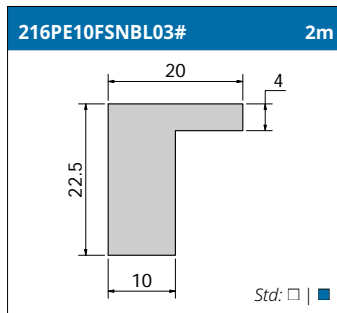
Modular belt guides | uni Flex SNB or uni Flex ASB series



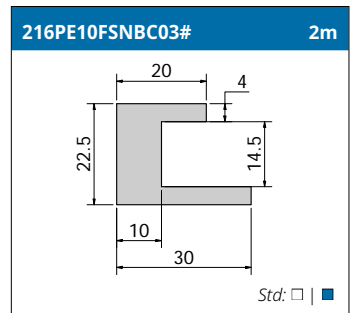
Flex SNB / Flex ASB



Flex SNB / Flex ASB

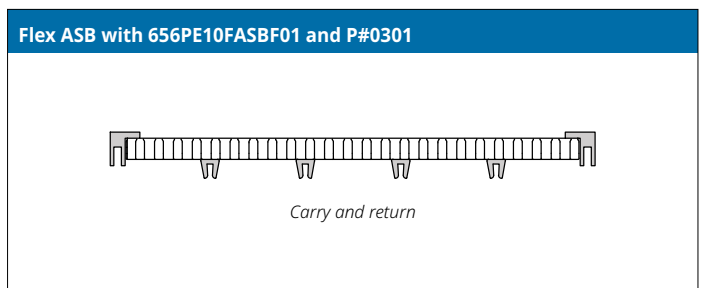
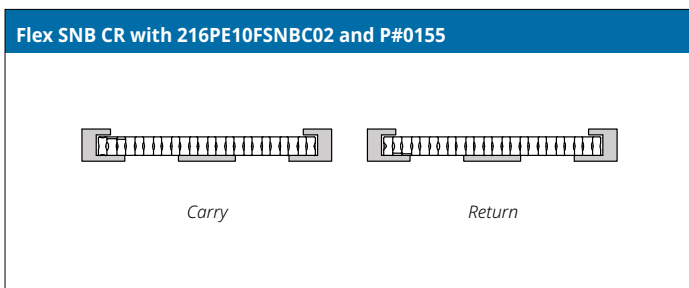
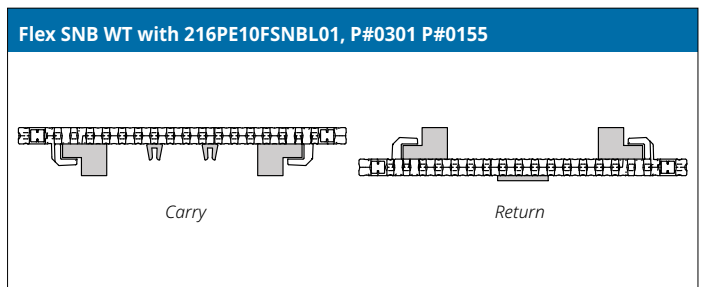
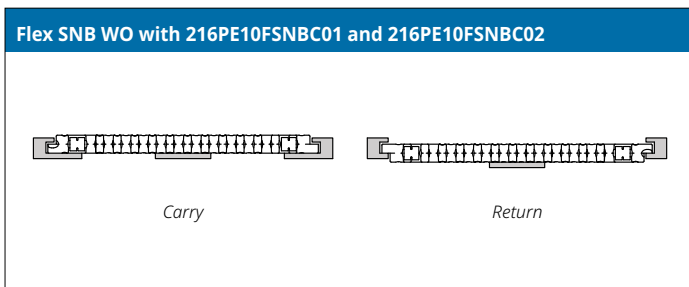


Flex SNB WP / Flex ASB



Flex SNB with WP / Flex ASB

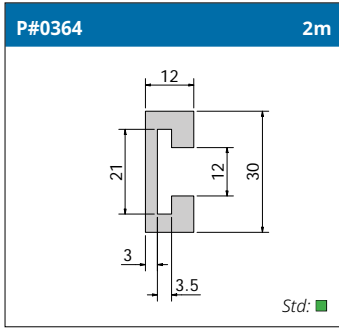
Example of applications



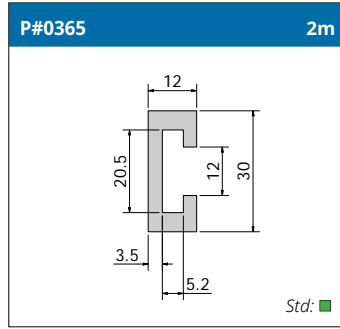
Profiles, Wearstrips and Guides

Product side guide rails

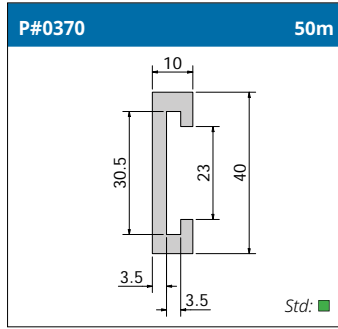
Standard material: UHMW-PE "DESLIDUR"
 Replace # by colour code to complete the reference number
 Colour codes: 1 | 2 | 3 | 6



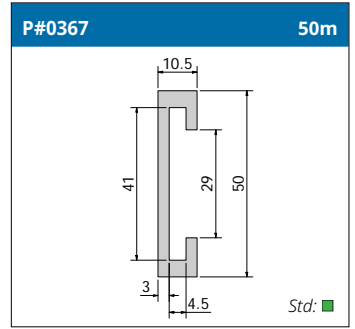
20x3 mm plate



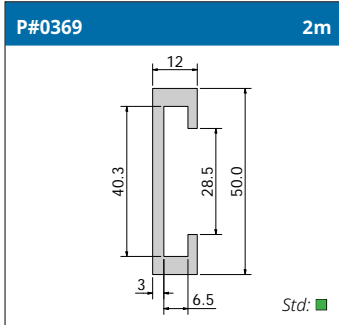
20x5 mm plate



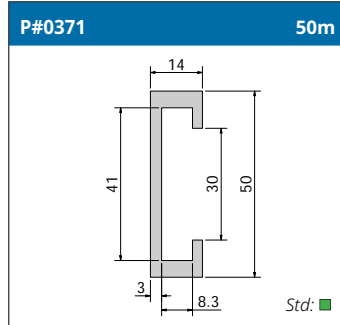
30x3 mm plate



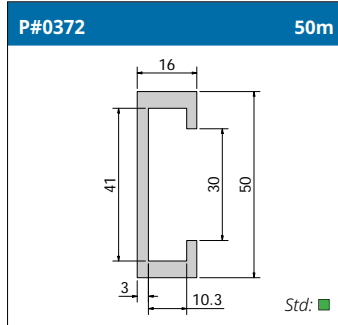
40x4 mm plate



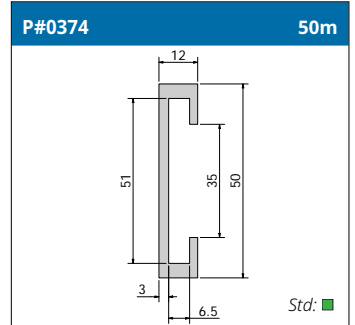
40x6 mm plate



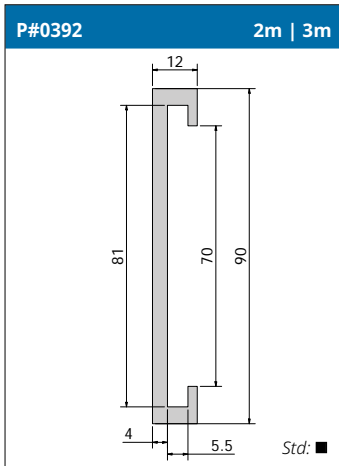
40x8 mm plate



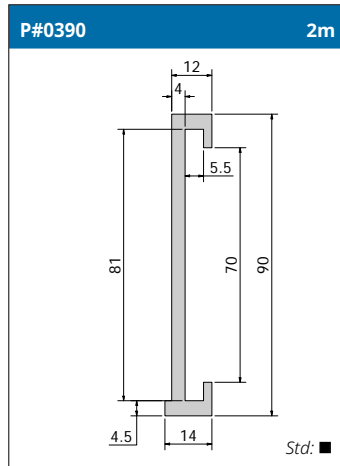
40x10 mm plate



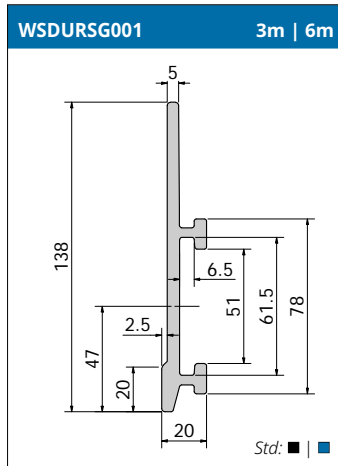
50x6 mm plate



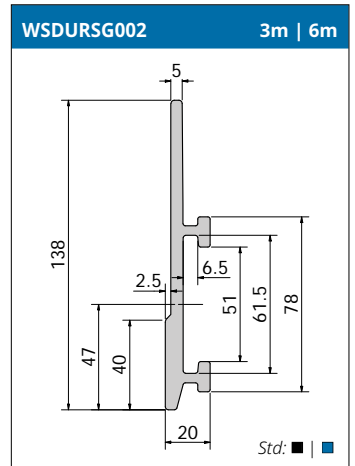
80x5 mm plate



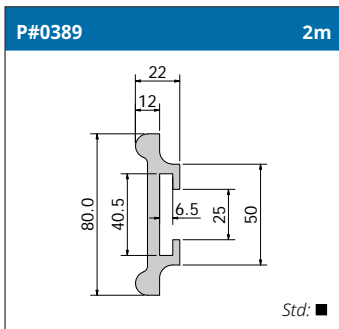
80x5 mm plate



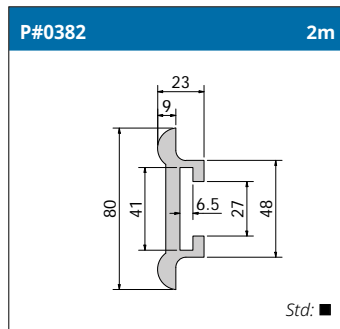
60x5 - 60x6 mm plate



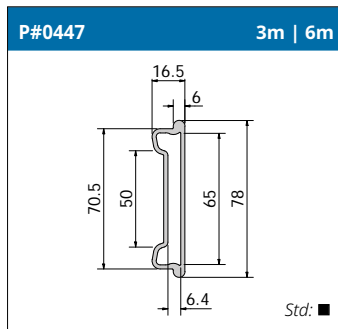
60x5 - 60x6 mm plate



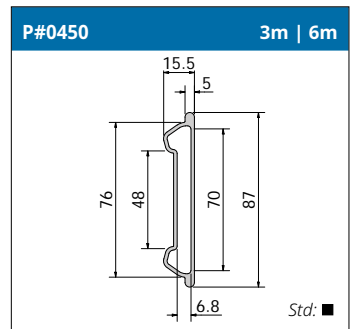
40x6 mm plate



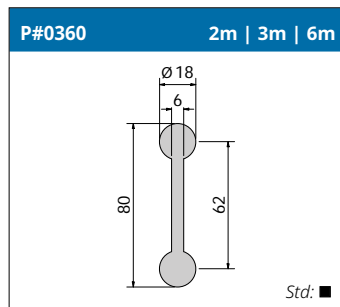
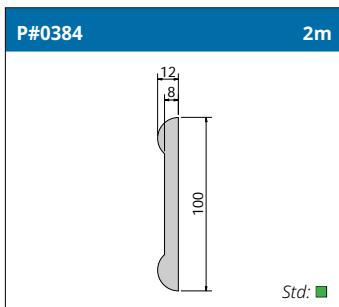
40x6 mm plate



60x6 mm plate



60x6 mm plate



Profiles, Wearstrips and Guides

Standard material: UHMW-PE "DESLIDUR"

Replace # by colour code to complete the reference number

Colour codes: 1 | 2 | 3 | 6

Wearstrips and product side guide rails

<p>CSS#0005 3m</p> <p>Std: <input type="checkbox"/> <input type="checkbox"/></p>	<p>CSS#0010 3m</p> <p>Std: <input type="checkbox"/> <input type="checkbox"/></p>	<p>CSS#0015 3m</p> <p>Std: <input type="checkbox"/> <input type="checkbox"/></p>	<p>CSS#0020 3m</p> <p>Std: <input type="checkbox"/> <input type="checkbox"/></p>
<p>CSS#0025 3m</p> <p>Std: <input type="checkbox"/> <input type="checkbox"/></p>	<p>CSS#0030 3m</p> <p>Std: <input type="checkbox"/> <input type="checkbox"/></p>	<p>CSS#0035 3m</p> <p>Std: <input type="checkbox"/> <input type="checkbox"/></p>	<p>CSS#0037 2m</p> <p>Std: <input type="checkbox"/> <input type="checkbox"/></p>
<p>CSS#0039 2m</p> <p>Std: <input type="checkbox"/> <input type="checkbox"/></p>	<p>CSS#0040 2m 3m</p> <p>Std: <input type="checkbox"/> <input type="checkbox"/></p>	<p>CSS#0022 3m</p> <p>Std: <input type="checkbox"/> <input type="checkbox"/></p>	<p>CSS#0045 3m</p> <p>Std: <input type="checkbox"/> <input type="checkbox"/></p>
<p>CSS#0046 3m</p> <p>Std: <input type="checkbox"/> <input type="checkbox"/></p>	<p>CSS#0059 3m</p> <p>Std: <input type="checkbox"/> <input type="checkbox"/></p>	<p>CSS#0060 3m</p> <p>Std: <input type="checkbox"/> <input type="checkbox"/></p>	

Example of application

<p>Conical product guide rails</p>	<p>uni Modular Belt with CSS#0059 and CSS#0035</p>
---	---

Profiles, Wearstrips and Guides

Wearstrips and product side guide rails

Standard material: UHMW-PE "DESLIDUR"

Replace # by colour code to complete the reference number

Colour codes: □ 1 | ■ 2 | ■ 3 | ■ 6

<p>P#0350 50m</p> <p>Std: ■ ■</p>	<p>PSS#0350 PZN#0350 2m</p> <p>Std: ■ ■</p>	<p>P#0352 2m</p> <p>Std: ■</p>	<p>PSS#0352 PZN#0352 2m</p> <p>Std: ■</p>
<p>P#0354 50m</p> <p>Std: ■</p>	<p>P#0356 2m</p> <p>Std: ■ ■</p>	<p>P#0380 2m</p> <p>Std: ■ ■</p>	<p>PSS#0380 PZN#0380 2m</p> <p>Std: ■ ■</p>
<p>P#0600 2m</p> <p>Std: ■ ■</p>	<p>P#0620 2m</p> <p>Std: ■ ■</p>	<p>P#0602 2m</p> <p>Std: ■ ■</p>	<p>P#0604 2m</p> <p>Std: ■ ■</p>
<p>P#0605 2m</p> <p>Std: ■ ■</p>	<p>P#0606 2m</p> <p>Std: ■ ■</p>	<p>P#0610 2m</p> <p>Std: ■ ■</p>	<p>P#0621 2m</p> <p>Std: ■</p>
<p>P#0622 2m</p> <p>Std: ■</p>	<p>P#0612 2m</p> <p>Std: ■ ■</p>	<p>P#0614 2m</p> <p>Std: ■ ■</p>	<p>P#0616 2m</p> <p>Std: ■ ■</p>
<p>P#0608 2m</p> <p>Std: ■</p>	<p>C2010 PSS PZN 2m</p> <p>Std: ■</p>		

Profiles, Wearstrips and Guides

Wearstrips and product side guide rails

Standard material: UHMW-PE "DESLIDUR"
 Replace # by colour code to complete the reference number
 Colour codes: □ 1 | ■ 2 | ■ 3 | ■ 6

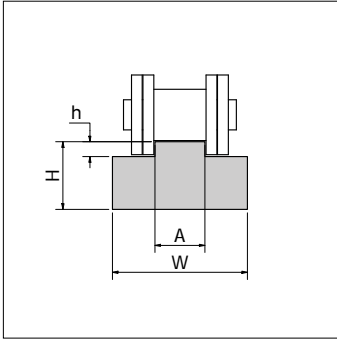
<p>P#0840 2m 3m</p> <p>Std: □ ■</p>	<p>P#0845 2m 3m</p> <p>Std: □ ■</p>	<p>P#0850 2m</p> <p>Std: □ ■ ■</p>	<p>P#0855 2m</p> <p>Std: □</p>
<p>P#0860 2m 3m</p> <p>Std: □ ■ ■</p>	<p>P#0865 2m</p> <p>Std: □ ■</p>		
<p>PAA#0840 2m 3m</p> <p>Std: □ ■</p>	<p>PAA#0845 2m 3m</p> <p>Std: □ ■</p>	<p>PAA#0850 2m</p> <p>Std: □ ■ ■</p>	<p>PAA#0855 2m</p> <p>Std: □</p>
<p>PAA#0860 2m 3m</p> <p>Std: □ ■ ■</p>	<p>PAA#0865 2m</p> <p>Std: □ ■</p>	<p>A12052 PAA 2m 3m 6m</p>	

Example of application

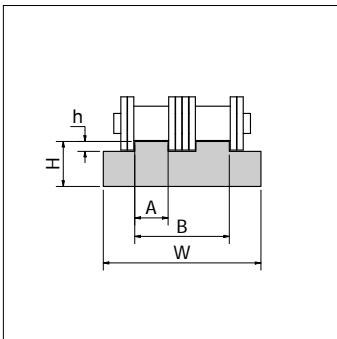
<p>Product side guide rails with C2010 metal guide</p>	<p>Product side guide rails with A12052 metal guide</p>
---	--

Profiles, Wearstrips and Guides

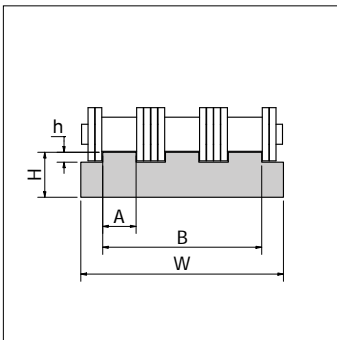
Roller chain guides



Ref.	Chain ISO	Pitch	Dimensions [mm]				
			W	H	A	h	L
S1	06 B1	3/8"	15	10	5.4	1.5	2
S2	08 B1	1/2"	20	10	7.4	2.2	2
S215	08 B1	1/2"	20	15	7.4	2.2	2
S3	10 B1	5/8"	20	10	9.2	2.6	2
S315	10 B1	5/8"	20	15	9.2	2.6	2
S4	12 B1	3/4"	25	10	11.3	2.4	2
S415	12 B1	3/4"	25	15	11.3	2.4	2
S5	16 B1	1"	40	15	16.5	3.5	2
S520	16 B1	1"	40	20	16.5	3.5	2
S6	20 B1	1 1/4"	45	15	19	4.3	2
S620	20 B1	1 1/4"	45	20	19	4.3	2
S7	24 B1	1 1/2"	60	15	24.6	5.6	2
S8	28 B1	1 3/4"	75	20	30	6.9	2
S9	32 B1	2"	85	20	30	7.8	2



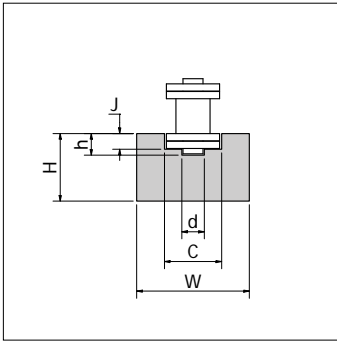
Ref.	Chain ISO	Pitch	Dimensions [mm]					
			W	H	A	h	B	L
D1	06 B2	3/8"	25	10	5.4	1.5	16	2
D2	08 B2	1/2"	35	10	7.4	2.2	21	2
D215	08 B2	1/2"	35	15	7.4	2.2	21	2
D3	10 B2	5/8"	40	10	9.2	2.6	26	2
D315	10 B2	5/8"	40	15	9.2	2.6	26	2
D4	12 B2	3/4"	45	10	11.3	2.4	31	2
D415	12 B2	3/4"	45	15	11.3	2.4	31	2
D5	16 B2	1"	48	15	16.5	3.5	48	2
D520	16 B2	1"	48	20	16.5	3.5	48	2
D6	20 B2	1 1/4"	55	15	19	4.3	55	2
D620	20 B2	1 1/4"	55	20	19	4.3	55	2
D7	24 B2	1 1/2"	72	20	24.6	5.6	72	2
D8	28 B2	1 3/4"	89	20	30	6.9	89	2
D9	32 B2	2"	89	20	30	7.8	89	2



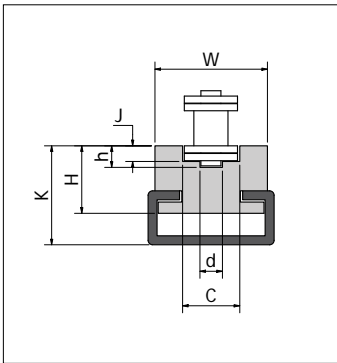
Ref.	Chain ISO	Pitch	Dimensions [mm]					
			W	H	A	h	B	L
T1	06 B3	3/8"	35	10	5.4	1.5	25.9	2
T2	08 B3	1/2"	45	10	7.4	2.2	35.3	2
T215	08 B3	1/2"	45	15	7.4	2.2	35.3	2
T220	08 B3	1/2"	45	20	7.4	2.2	35.3	2
T3	10 B3	5/8"	55	10	9.2	2.6	42.5	2
T4	12 B3	3/4"	65	10	11.3	2.4	50.3	2
T5	16 B3	1"	95	15	16.5	3.5	80.3	2
T6	20 B3	1 1/4"	92	15	19	4.3	92	2
T7	24 B3	1 1/2"	121	20	24.6	5.6	121	2
T8	28 B3	1 3/4"	149	25	30	6.9	149	2
T9	32 B3	2"	149	30	30	7.8	149	2

Profiles, Wearstrips and Guides

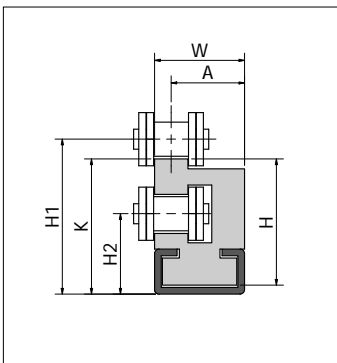
Roller chain guides



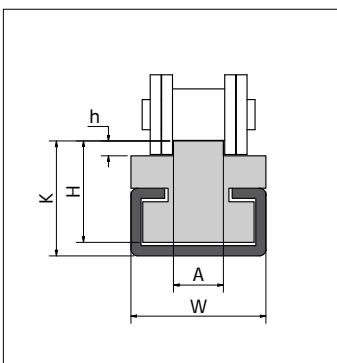
Ref.	Chain ISO	Pitch	Dimensions [mm]						
			W	H	C	h	J	d	L
U1	06 B	3/8"	20	15	9.2	4.2	2.8	4	2
U2	08 B	1/2"	25	15	12.7	4.8	3.5	5	2
U3	10 B	5/8"	25	15	15.2	5.1	3.6	6	2
U4	12 B	3/4"	25	20	16.7	5.7	3.9	7	2
U5	16 B	1"	35	25	24.4	10	8.4	9	2



Ref.	Guide	Chain ISO	Pitch	Dimensions [mm]						
				W	H	K	h	J	d	L
UCG1	C2010	06 B	3/8"	20	10	15	4.2	2.8	4	2
UCG1SS	C2010SS	06 B	3/8"	20	10	15	4.2	2.8	4	2
UCG2	C2812	08 B	1/2"	25	15	22	4.8	3.5	5	2
UCG2SS	C2812SS	08 B	1/2"	25	15	22	4.8	3.5	5	2
UCG3	C2812	10 B	5/8"	25	15	22	5.1	3.6	6	2
UCG3SS	C2812SS	10 B	5/8"	25	15	22	5.1	3.6	6	2
UCG4	C2812	12 B	3/4"	25	20	27	5.7	3.9	7	2
UCG4SS	C2812SS	12 B	3/4"	25	20	27	5.7	3.9	7	2
UCG5	C3818	16 B	1"	35	25	33	10	8.4	9	2
UCG5SS	C3818SS	16 B	1"	35	25	33	10	8.4	9	2



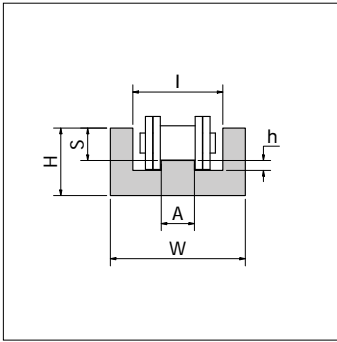
Ref.	Guide	Chain ISO	Pitch	Dimensions [mm]						
				W	H	H1	H2	A	K	L
2PCG1	C2010	06 B1	3/8"	17	25	30	17	14.5	27	2
2PCG1SS	C2010SS	06 B1	3/8"	17	25	30	17	14.5	27	2
2PCG2	C2010	08 B1	1/2"	20	28	34	18	16.5	30	2
2PCG2SS	C2010SS	08 B1	1/2"	20	28	34	18	16.5	30	2
2PCG3	C2010	10 B1	5/8"	20	33	41	21	15.5	36	2
2PCG3SS	C2010SS	10 B1	5/8"	20	33	41	21	15.5	36	2
2PCG4	C2812	12 B1	3/4"	24	37	46.5	24	18.6	41	2
2PCG4SS	C2812SS	12 B1	3/4"	24	37	46.5	24	18.6	41	2
2PCG5	C3818	16 B1	1"	33.5	51	62	34	25	54	2
2PCG5SS	C3818SS	16 B1	1"	33.5	51	62	34	25	54	2



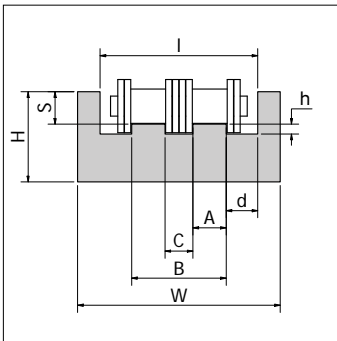
Ref.	Guide	Chain ISO	Pitch	Dimensions [mm]					
				W	H	K	h	A	L
TCG1	C2010	06 B1	3/8"	20	15	17	1.5	5.4	2
TCG1SS	C2010SS	06 B1	3/8"	20	15	17	1.5	5.4	2
TCG2	C2010	08 B1	1/2"	20	15	17	2.2	7.4	2
TCG2SS	C2010SS	08 B1	1/2"	20	15	17	2.2	7.4	2
TCG3	C2010	10 B1	5/8"	20	15	17	2.6	9.2	2
TCG3SS	C2010SS	10 B1	5/8"	20	15	17	2.6	9.2	2
TCG4	C2812	12 B1	3/4"	28	15	18	2.4	11.3	2
TCG4SS	C2812SS	12 B1	3/4"	28	15	18	2.4	11.3	2
TCG4R	C2010	12 B1	3/4"	20	15	17	2.5	11.3	2
TCG4RSS	C2010SS	12 B1	3/4"	20	15	17	2.5	11.3	2
TCG5	C2812	16 B1	1"	28	20	24	3.5	16.5	2
TCG5SS	C2812SS	16 B1	1"	28	20	24	3.5	16.5	2
TCG5R	C2812	16 B1	1"	28	15	18	3.5	16.5	2
TCG5RSS	C2812SS	16 B1	1"	28	15	18	3.5	16.5	2
TCG6	C3818	20 B1	1 1/4"	38	25	30	4.3	19	2
TCG6SS	C3818SS	20 B1	1 1/4"	38	25	30	4.3	19	2
TCG7	C3818	24 B1	1 1/2"	38	25	30	5.6	24.6	2
TCG7SS	C3818SS	24 B1	1 1/2"	38	25	30	5.6	24.6	2
TCG8	C3818	28 B1	1 3/4"	38	25	30	6.9	30	2
TCG8SS	C3818SS	28 B1	1 3/4"	38	25	30	6.9	30	2
TCG9	C3818	32 B1	2"	38	25	30	7.8	30	2
TCG9SS	C3818SS	32 B1	2"	38	25	30	7.8	30	2

Profiles, Wearstrips and Guides

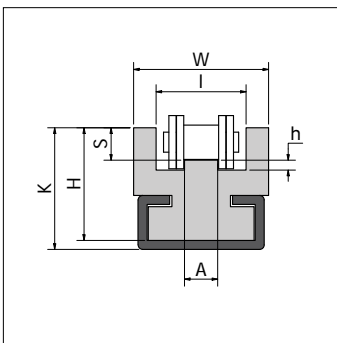
Roller chain guides



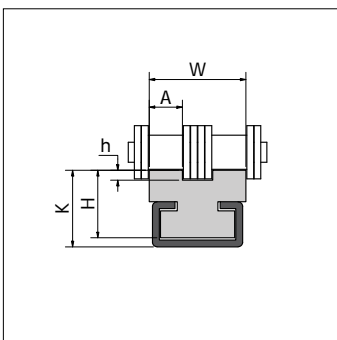
Ref.	Chain ISO	Pitch	Dimensions [mm]						
			W	H	I	h	A	S	L
UC1	06 B1	3/8"	25	10	15	1.5	5.4	4.4	2
UC2	08 B1	1/2"	30	15	20	2.2	7.4	7.2	2
UC3	10 B1	5/8"	33	20	23	2.6	9.2	9.5	2
UC4	12 B1	3/4"	38	20	28	2.4	11.3	11.1	2
UC5	16 B1	1"	51	25	41	3.5	16.5	16.5	2
UC6	20 B1	1 1/4"	56	30	46	4.3	19	20.7	2



Ref.	Chain ISO	Pitch	Dimensions [mm]									
			W	H	I	h	A	S	B	C	d	L
UCD1	06 B2	3/8"	36	15	26	1.5	5.4	4.4	16	5.2	5	2
UCD2	08 B2	1/2"	45	20	35	2.2	7.4	7.2	21	6.2	7	2
UCD3	10 B2	5/8"	50	25	40	2.6	9.2	9.5	26	7.6	7	2
UCD4	12 B2	3/4"	56	25	46	2.4	11.3	11.1	31	8.4	7.5	2
UCD5	16 B2	1"	85	30	75	3.5	16.5	16.5	48.4	15.4	13.3	2



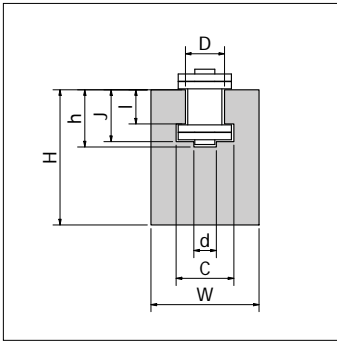
Ref.	Guide	Chain ISO	Pitch	Dimensions [mm]							
				W	H	K	I	H	A	S	L
UCCG1	C2010	06 B1	3/8"	25	15	18	15	1.5	5.4	4.4	2
UCCG1SS	C2010SS	06 B1	3/8"	25	15	18	15	1.5	5.4	4.4	2
UCCG2	C2812	08 B1	1/2"	30	25	27	20	2.2	7.4	7.2	2
UCCG2SS	C2812SS	08 B1	1/2"	30	25	27	20	2.2	7.4	7.2	2
UCCG3	C2812	10 B1	5/8"	33	30	32	23	2.6	9.2	9.5	2
UCCG3SS	C2812SS	10 B1	5/8"	33	30	32	23	2.6	9.2	9.5	2
UCCG4	C3818	12 B1	3/4"	38	35	40	28	2.4	11.3	11.1	2
UCCG4SS	C3818SS	12 B1	3/4"	38	35	40	28	2.4	11.3	11.1	2
UCCG5	C3818	16 B1	1"	51	40	45	41	3.5	16.5	16.5	2
UCCG5SS	C3818SS	16 B1	1"	51	40	45	41	3.5	16.5	16.5	2



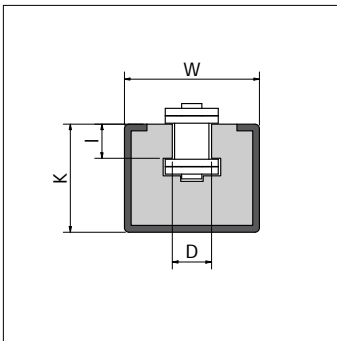
Ref.	Guide	Chain ISO	Pitch	Dimensions [mm]					
				W	H	K	h	A	L
TCGD1	C2010	06 B2	3/8"	16	10	15	1.5	5.4	2
TCGD1SS	C2010SS	06 B2	3/8"	16	10	15	1.5	5.4	2
TCGD2	C2010	08 B2	1/2"	21	15	17	2.2	7.4	2
TCGD2SS	C2010SS	08 B2	1/2"	21	15	17	2.2	7.4	2
TCGD3	C2812	10 B2	5/8"	26	15	17	2.6	9.2	2
TCGD3SS	C2812SS	10 B2	5/8"	26	15	17	2.6	9.2	2
TCGD4	C2812	12 B2	3/4"	31	15	18	2.4	11.3	2
TCGD4SS	C2812SS	12 B2	3/4"	31	15	18	2.4	11.3	2

Profiles, Wearstrips and Guides

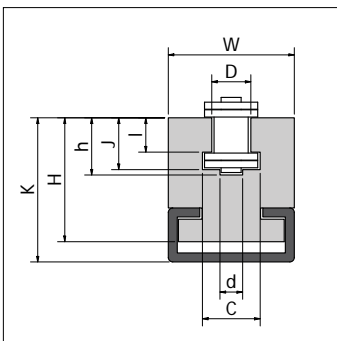
Roller chain guides



Ref.	Chain ISO	Pitch	Dimensions [mm]								
			W	H	I	h	A	S	B	C	L
GH1	06 B	3/8"	20	25	9.3	10	5.6	8.7	4	6.6	2
GH2	08 B	1/2"	24	30	12.8	12.7	7.6	11.5	5	8.7	2
GH3	10 B	5/8"	30	35	15.4	14.8	9.5	13.5	6	10.4	2
GH4	12 B	3/4"	40	35	16.9	17.5	11.5	15.9	7	12.3	2
GH5	16 B	1"	40	45	24.4	28.2	15.9	25.7	9	16.2	2
GH6	20 B	1 1/4"	50	50	27.5	31.2	19.4	29.3	11	19.3	2
GH7	24 B	1 1/2"	60	60	36.5	40.1	25.2	38.2	16	25.7	2
GH8	28 B	1 3/4"	70	70	41.5	48.9	30.8	46.9	17	28.3	2
GH9	32 B	2"	75	75	44.5	53	30.8	47.3	19	29.6	2



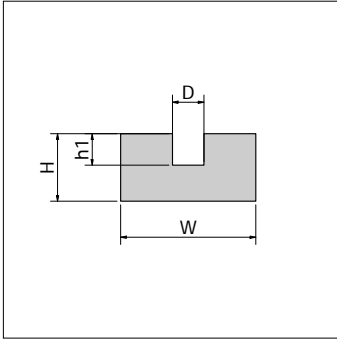
Ref.	Guide	Chain ISO	Pitch	Dimensions [mm]				
				W	H	K	I	H
GHCG1	C3024	06 B	3/8"	30	24	5.6	6.6	2
GHCG1SS	C3024SS	06 B	3/8"	30	24	5.6	6.6	2
GHCG2	C3024	08 B	1/2"	30	24	7.6	8.7	2
GHCG2SS	C3024SS	08 B	1/2"	30	24	7.6	8.7	2
GHCG2E	C2816	08 B	1/2"	28	16	7.6	8.7	2
GHCG2ESS	C2816SS	08 B	1/2"	28	16	7.6	8.7	2
GHCG3	C3024	10 B	5/8"	30	24	9.3	10.4	2
GHCG3SS	C3024SS	10 B	5/8"	30	24	9.3	10.4	2
GHCG4	C3024	12 B	3/4"	30	24	11.5	12.3	2
GHCG4SS	C3024SS	12 B	3/4"	30	24	11.5	12.3	2
GHCG5	C4540	16 B	1"	45	40	15.9	16.2	2
GHCG5SS	C4540SS	16 B	1"	45	40	15.9	16.2	2



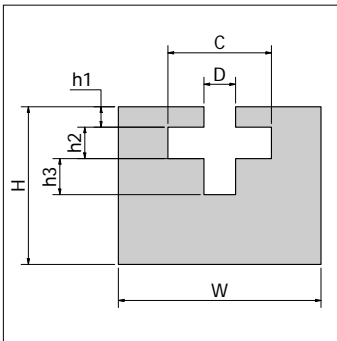
Ref.	Guide	Chain ISO	Pitch	Dimensions [mm]										
				W	H	K	I	J	h	d	D	C	L	
GHLCG1	C2010	06 B	3/8"	20	17.5	21	5.6	8.7	9.9	4	6.6	9.3	2	
GHLCG1SS	C2010SS	06 B	3/8"	20	17.5	21	5.6	8.7	9.9	4	6.6	9.3	2	
GHLCG2	C2812	08 B	1/2"	28	27.5	32	7.6	11.5	12.7	5	8.7	12.8	2	
GHLCG2SS	C2812SS	08 B	1/2"	28	27.5	32	7.6	11.5	12.7	5	8.7	12.8	2	
GHLCG3	C2812	10 B	5/8"	28	27.5	32	9.3	13.5	14.8	6	10.4	15.4	2	
GHLCG3SS	C2812SS	10 B	5/8"	28	27.5	32	9.3	13.5	14.8	6	10.4	15.4	2	
GHLCG4	C3818	12 B1	3/4"	38	34	43	11.5	15.9	17.5	7	12.3	16.9	2	
GHLCG4SS	C3818SS	12 B1	3/4"	38	34	43	11.5	15.9	17.5	7	12.3	16.9	2	
GHLCG5	C3818	16 B	1"	38	40	50	15.9	25.7	28.2	9	16.2	24.4	2	
GHLCG5SS	C3818SS	16 B	1"	38	40	50	15.9	25.7	28.2	9	16.2	24.4	2	
GHLCG6	C6020	20 B	1 1/4"	60	45	55	19.4	29.3	31.2	11	19.3	27.5	2	
GHLCG6SS	C6020SS	20 B	1 1/4"	60	45	55	19.4	29.3	31.2	11	19.3	27.5	2	
GHLCG7	C6020	24 B	1 1/2"	60	55	65	25.2	38.2	40.1	16	25.7	36.5	2	
GHLCG7SS	C6020SS	24 B	1 1/2"	60	55	65	25.2	38.2	40.1	16	25.7	36.5	2	
GHLCG8	C6020	28 B	1 3/4"	70	70	80	30.8	46.9	48.9	17	28.3	41.5	2	
GHLCG8SS	C6020SS	28 B	1 3/4"	70	70	80	30.8	46.9	48.9	17	28.3	41.5	2	
GHLCG9	C6020	32 B	2"	70	70	80	30.8	47.3	53	19	29.6	44.5	2	
GHLCG9SS	C6020SS	32 B	2"	70	70	80	30.8	47.3	53	19	29.6	44.5	2	

Profiles, Wearstrips and Guides

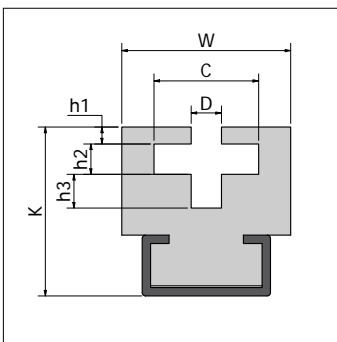
Link Chain Guides



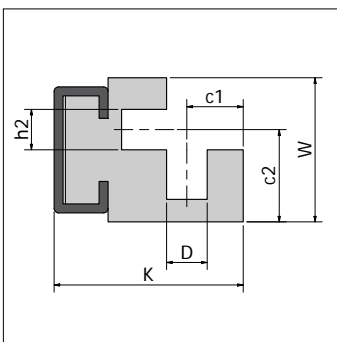
Ref.	Dimensions [mm]				
	W	H	I	h	A
GME06	30	15	7	7	2
GME08	35	20	9	9	2
GME10	45	25	11	11	2
GME13	55	30	15	15	2



Ref.	Dimensions [mm]							
	W	H	D	C	h1	h2	h3	L
GHE06	45	35	7	23	4.5	7	8	2
GHE08	50	40	9	31	5	9	10	2
GHE10	50	45	11	35	8.5	11	12	2
GHE13	60	50	15	47	10.5	15	16	2

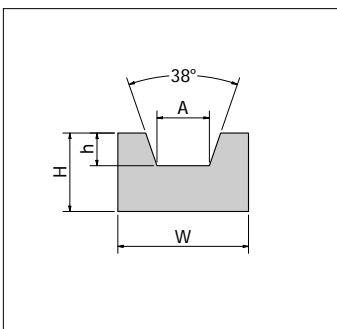


Ref.	Guide	Dimensions [mm]							
		W	K	D	C	h1	h2	h3	L
GHEL06	C3818	45	45	7	23	4.5	7	8	2
GHEL06SS	C3818SS	45	45	7	23	4.5	7	8	2
GHEL08	C3818	50	50	9	31	5	9	10	2
GHEL08SS	C3818SS	50	50	9	31	5	9	10	2
GHEL10	C3818	50	60	11	35	8.5	11	12	2
GHEL10SS	C3818SS	50	60	11	35	8.5	11	12	2
GHEL13	C6020	60	75	15	47	10.5	15	16	2
GHEL13SS	C6020SS	60	75	15	47	10.5	15	16	2



Ref.	Guide	Dimensions [mm]						
		W	K	D	h2	c1	c2	L
GHGE06	C2010	27	34	7	7	10.5	17.5	2
GHGE06SS	C2010SS	27	34	7	7	10.5	17.5	2
GHGE08	C2812	32	42	9	9	12.5	20.5	2
GHGE08SS	C2812SS	32	42	9	9	12.5	20.5	2
GHGE10	C3818	42.5	56	11	11	16.5	25.5	2
GHGE10SS	C3818SS	42.5	56	11	11	16.5	25.5	2
GHGE13	C6020	60	70	15	15	20.5	33.5	2
GHGE13SS	C6020SS	60	70	15	15	20.5	33.5	2

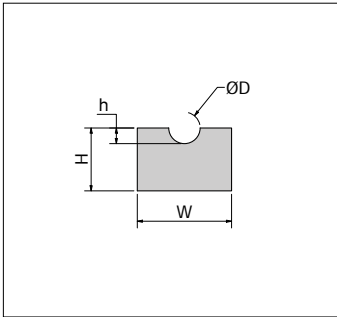
V-belt guides



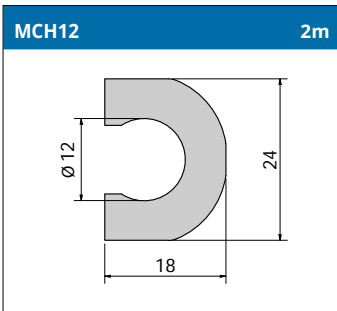
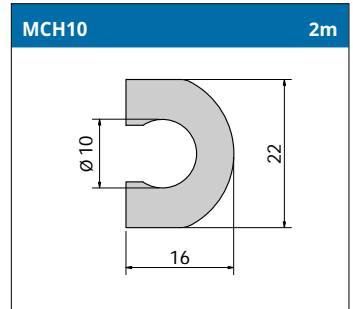
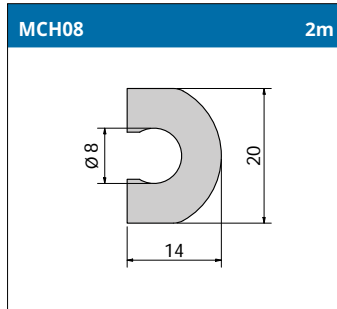
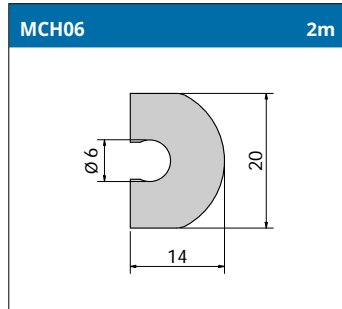
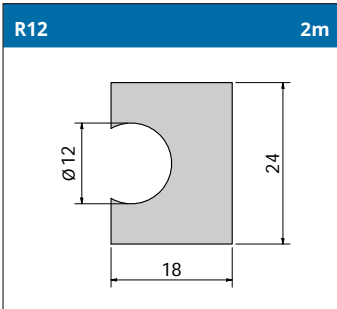
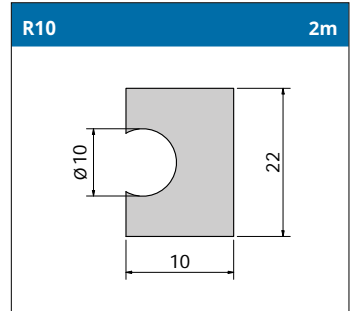
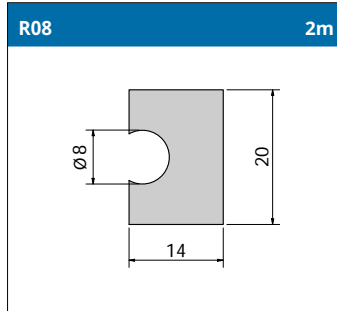
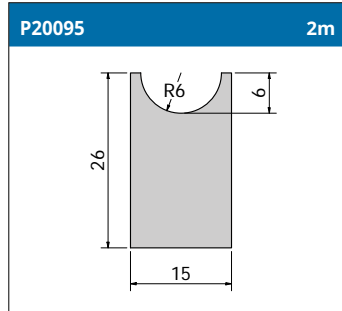
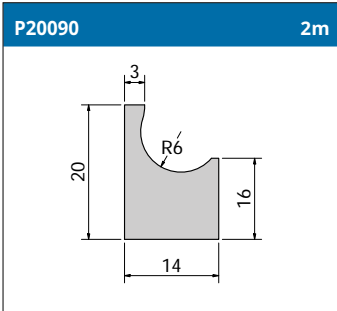
Ref.	Dimensions [mm]				
	W	H	h	A	L
CT10Z	20	10	3	6.5	2
CT13A	20	12	5	8	2
CT15E	25	12	5	10	2
CT17B	30	15	8	10.5	2
CT22C	35	20	11	13.5	2
CT30D	40	25	13	19	2

Profiles, Wearstrips and Guides

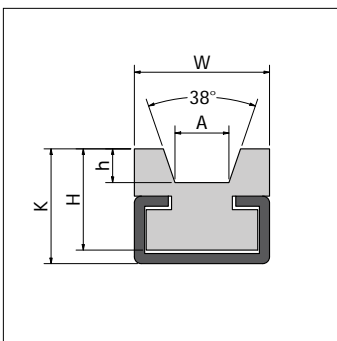
Round belt guides



Ref.	Dimensions [mm]				
	W	H	h	A	L
COR04	15	10	2	4	2
COR05	15	10	2.5	5	2
COR06	20	10	3	6	2
COR08	20	10	4	8	2
COR10	25	12	5	10	2
COR12	25	12	6	12	2
COR15	25	15	7.5	15	2
COR20	30	20	10	20	2



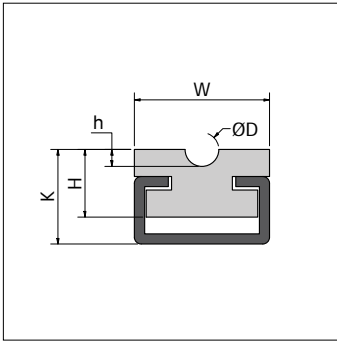
V-belt guides



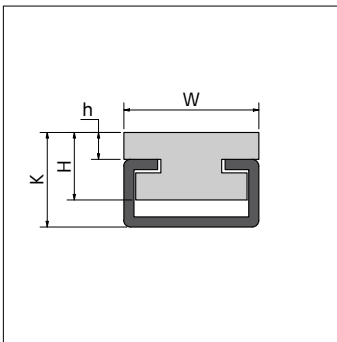
Ref.	Guide	Dimensions [mm]					
		W	H	h	K	A	L
CTCG10Z	C2010	20	15	3	17	6.5	2
CTCG10ZSS	C2010SS	20	15	3	17	6.5	2
CTCG13A	C2010	20	15	5	17	8	2
CTCG13ASS	C2010SS	20	15	5	17	8	2
CTCG15E	C2812	25	20	5	24	10	2
CTCG15ESS	C2812SS	25	20	5	24	10	2
CTCG17B	C2812	30	20	8	24	10.5	2
CTCG17BSS	C2812SS	30	20	8	24	10.5	2
CTCG22C	C3818	38	25	11	32	13.5	2
CTCG22CSS	C3818SS	38	25	11	32	13.5	2
CTCG30D	C3818	40	30	13	35	19	2
CTCG30DSS	C3818SS	40	30	13	35	19	2

Profiles, Wearstrips and Guides

Round and flat belt guides

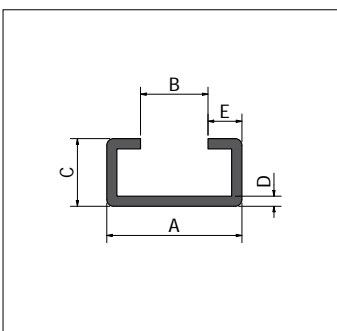


Ref.	Guide	Dimensions [mm]					
		W	H	h	K	D	L
CORCG04	C 2010	20	10	2	14	4	2
CORCG04SS	C 2010SS	20	10	2	14	4	2
CORCG05	C 2010	20	10	2.5	14	5	2
CORCG05SS	C 2010SS	20	10	2.5	14	5	2
CORCG06	C 2010	20	10	3	14	6	2
CORCG06SS	C 2010SS	20	10	3	14	6	2
CORCG08	C 2010	20	10	4	14	8	2
CORCG08SS	C 2010SS	20	10	4	14	8	2
CORCG10	C 2812	28	15	5	18	10	2
CORCG10SS	C2812SS	28	15	5	18	10	2
CORCG12	C 2812	28	15	6	18	12	2
CORCG12SS	C2812SS	28	15	6	18	12	2
CORCG15	C 2812	28	15	7.5	18	15	2
CORCG15SS	C2812SS	28	15	7.5	18	15	2
CORCG20	C 2812	28	20	10	24	20	2
CORCG20SS	C2812SS	28	20	10	24	20	2



Ref.	Guide	Dimensions [mm]				
		W	K	H	h	L
HCG2006	C2405	20	6	5	0.8	2
HCG2006SS	C2405SS	20	6	5	0.8	2
HCG2011	C2405	20	10	10	5.8	2
HCG2011SS	C2405SS	20	10	10	5.8	2
HCG2014	C2010	20	10	10	4	2
HCG2014SS	C2010SS	20	10	10	4	2
HCG2017	C2010	20	15	15	7	2
HCG2017SS	C2010SS	20	15	15	7	2
HCG2020	C2010	20	15	15	9.8	2
HCG2020SS	C2010SS	20	15	15	9.8	2
HCG2022	C2010	20	20	20	12	2
HCG2022SS	C2010SS	20	20	20	12	2
HCG2815	C2812	28	10	10	3	2
HCG2815SS	C2812SS	28	10	10	3	2
HCG2818	C2812	28	15	15	6	2
HCG2818SS	C2812SS	28	15	15	6	2
HCG2824	C2812	28	20	20	12	2
HCG2824SS	C2812SS	28	20	20	12	2
HCG3822	C3818	38	12	12	4	2
HCG3822SS	C3818SS	38	12	12	4	2
HCG3824	C3818	38	15	15	6	2
HCG3824SS	C3818SS	38	15	15	6	2
HCG3830	C3818	38	20	20	12	2
HCG3830SS	C3818SS	38	20	20	12	2
HCG6030	C6020	60	20	20	10	2
HCG6030SS	C6020SS	60	20	20	10	2

Steel profiles



Ref.		Dimensions [mm]					
ZN	SS	A	B	C	D	E	L
C2010	C2010SS	20	10	10	1.3	5	2
C2405	C2405SS	24	17.5	5.2	1	3.25	2
C2812	C2812SS	28	14	12	2	7	2
C2816	C2816SS	28	14	16	2.5	7	2
C3818	C3818SS	38	22	18	2.5	8	2
C3024	C3024SS	30	20	24	1.5	5	2
C4540	C4540SS	45	31	40	2	7	2
C6020	C6020SS	60	36	20	2.5	12	2

Standard Deslidur material properties

Property	Standard	Unit	Value
Molecular Weight	Mangolies' Equation	g/mol	8,70E+06
Density	ISO 1183	g/cm3	0,93
Tensile Modulus	ISO 527-2/1B	MPa	630
Tensile stress at yield	ISO 527-2/1B	MPa	19
Tensile strain at yield	ISO 527-2/1B	%	14
Tensile stress at 50% strain	ISO 527-2/1B	MPa	19
Tensile stress at break	ISO 527-2/1B	MPa	40
Tensile nominal strain at break	ISO 527-2/1B	%	400
Charpy double 14°v-notch strength, 23°C	ISO 21304-2	kJ/m2	180
Shore D hardness-TPE, 15s	ISO 868	-	60
Wear by sandslurry method (based on GUR 4120=100)	Internal	-	85
DTUL at 1.8 MPa	ISO 75-1, -2	°C	38
Vicat softening temperature, 50°C/h 50N	ISO 306	°C	80
Volume resistivity, 23°C	IEC 62631-3-1	Ohm*m	>1E12
Surface resistivity, 23°C	IEC 62631-3-2	Ohm	>1E12
Static coefficient of friction* (μ)	UNE EN ISO 8259		<0,2
Dynamic coefficient of friction* (μ)	UNE EN ISO 8259		<0,15
Water absorption	UNE-EN ISO 62	%	>0,1

**Properties measured on sheets with 5mm thickness and vs Acetal material*

Deslidur WRB material properties

Property	Standard	Unit	Value
Molecular Weight	Mangolies' Equation	g/mol	8,70E+06
Density	ISO 1183	g/cm3	0,93
Tensile Modulus	ISO 527-2/1B	MPa	630
Tensile stress at yield	ISO 527-2/1B	MPa	19
Tensile strain at yield	ISO 527-2/1B	%	14
Tensile stress at 50% strain	ISO 527-2/1B	MPa	19
Tensile stress at break	ISO 527-2/1B	MPa	40
Tensile nominal strain at break	ISO 527-2/1B	%	400
Charpy double 14°v-notch strength, 23°C	ISO 21304-2	kJ/m2	180
Shore D hardness-TPE, 15s	ISO 868	-	60
Wear by sandslurry method (based on GUR 4120=100)	Internal	-	70
DTUL at 1.8 MPa	ISO 75-1, -2	°C	38
Vicat softening temperature, 50°C/h 50N	ISO 306	°C	80
Volume resistivity, 23°C	IEC 62631-3-1	Ohm*m	>1E12
Surface resistivity, 23°C	IEC 62631-3-2	Ohm	>1E12
Static coefficient of friction*	UNE EN ISO 8259		<0,14
Dynamic coefficient of friction*	UNE EN ISO 8259		<0,09
Water absorption	UNE-EN ISO 62	%	>0,1

**Properties measured on sheets with 5mm thickness and vs Acetal material*

Thank you for considering our high-quality natural materials. While the values shown are based on testing, they provide a solid foundation for building reliable and high-performing products. We stand behind the accuracy of the information in this publication and are committed to providing materials that meet your standards. Trust us to provide the best in quality and durability for you.

Local Contacts

... and 150 more service contact points
at ammeraalbeltech.com

Argentina

T +54 11 4218 2906
info-ar@ammeraalbeltech.com

Australia

T +61 3 8780 6000
info-au@ammeraalbeltech.com

Austria

T +43 171728 133
info-de@ammeraalbeltech.com

Belgium

T +32 2 466 03 00
info-be@ammeraalbeltech.com

Canada

T +1 905 890 1311
info-ca@ammeraalbeltech.com

Chile

T +56 22 656 1600
info-cl@ammeraalbeltech.com

China

T +86 512 8287 2709
info-cn@ammeraalbeltech.com

Colombia

T +57 1 893 9890
info-co@ammeraalbeltech.com

Czech Republic

T +420 567 117 211
info-cz@ammeraalbeltech.com

Denmark

T + 45 7572 3100
info-dk@ammeraalbeltech.com

Finland

T +358 207 911 400
info-fi@ammeraalbeltech.com

France

T +33 3 20 90 36 00
info-fr@ammeraalbeltech.com

Germany

T +49 4152 937-0
info-de@ammeraalbeltech.com

Hungary

T +36 30 311 6099
info-hu@ammeraalbeltech.com

India

T +91 44 265 34 244
info-in@ammeraalbeltech.com

Israel

T +972 4 6371485
info-il@ammeraalbeltech.com

Italy

T +39 051 660 60 06
info-it@ammeraalbeltech.com

Japan

T +81 52 433 7400
info-jp@ammeraalbeltech.com

Luxembourg

T +352 26 48 38 56
info-lu@ammeraalbeltech.com

Malaysia

T +60 3 806 188 49
info-my@ammeraalbeltech.com

Mexico

T +52 55 5341 8131
info-mx@ammeraalbeltech.com

Netherlands

T +31 72 57 51212
info-nl@ammeraalbeltech.com

Peru

T +51 1 713 0069
info-pe@ammeraalbeltech.com

Poland

T +48 32 44 77 179
info-pl@ammeraalbeltech.com

Portugal

T +351 22 947 94 40
info-pt@ammeraalbeltech.com

Singapore

T +65 62739767
info-sg@ammeraalbeltech.com

Slovakia

T +421 255648542
info-sk@ammeraalbeltech.com

South Korea

T +82 31 448 3613-7
info-kr@ammeraalbeltech.com

Spain

T +34 93 718 3054
info-es@ammeraalbeltech.com

Sweden

T +46 (0) 10 130 96 00
info-se@ammeraalbeltech.com

Switzerland

T +41 55 225 35 35
info-ch@ammeraalbeltech.com

Thailand

T +66 2 902 2604-13
info-th@ammeraalbeltech.com

Turkey

T +90 232 877 0700
info-tr@ammeraalbeltech.com

United Kingdom

T +44 1992 500550
info-uk@ammeraalbeltech.com

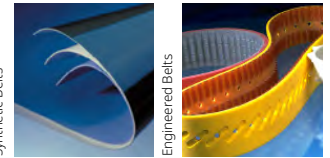
United States

T +1 847 673 6720
info-us@ammeraalbeltech.com

Vietnam

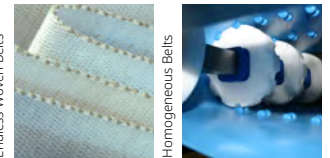
T +84 8 376 562 05
info-vn@ammeraalbeltech.com

**Expert advice, quality solutions
and local service
for all your belting needs**



Synthetic Belts

Engineered Belts



Endless Woven Belts

Homogeneous Belts



Modular Belts

Fabrication & Service

General contact information:

Ammeraal Beltech
P.O. Box 38
1700 AA Heerhugowaard
The Netherlands

T +31 (0)72 575 1212
info@ammeraalbeltech.com

ammera.com