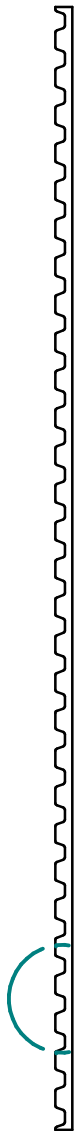
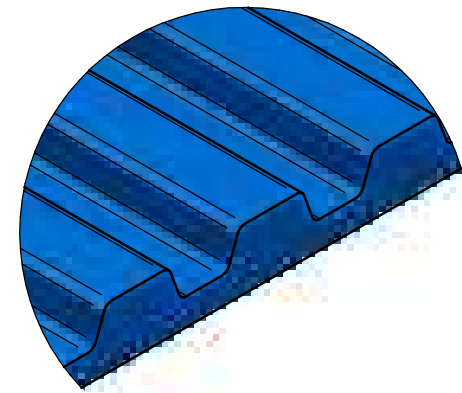


A

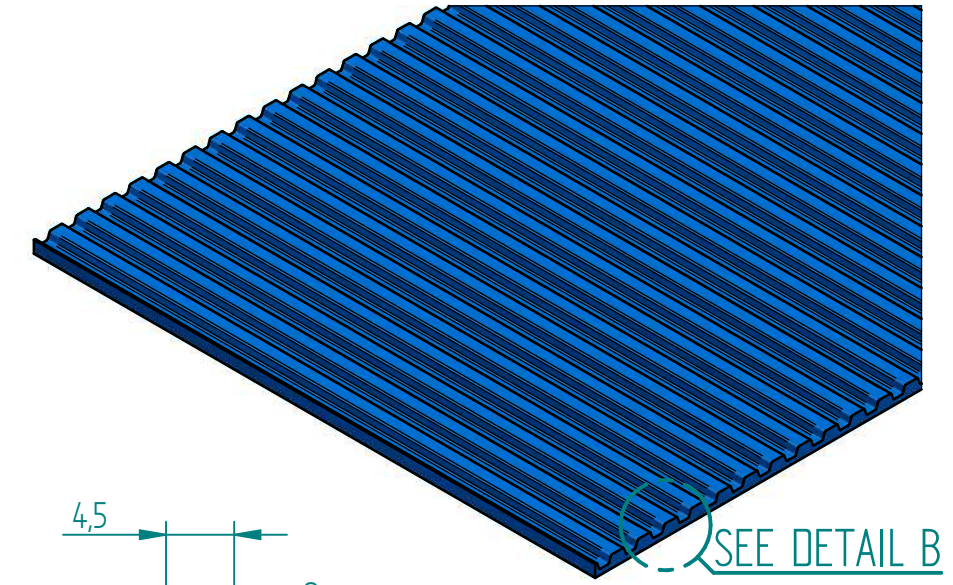
A



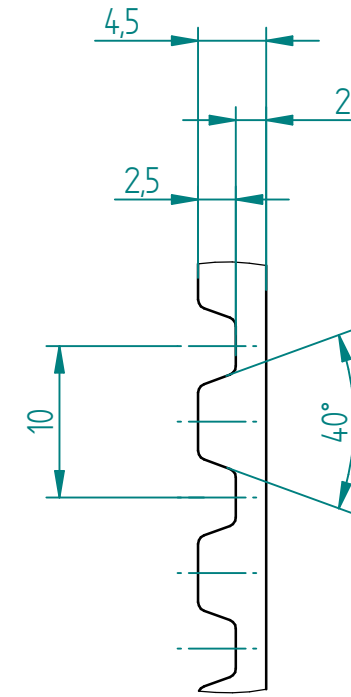
SEE DETAIL C



DETAIL B
SCALE 2,5:1



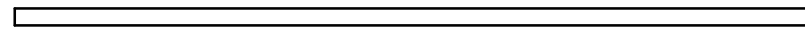
SEE DETAIL B



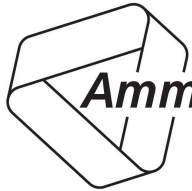
DETAIL C
SCALE 2:1



SECTION A-A
SCALE 1:1



REMARK: DIMENSIONS ARE TAKEN FROM DOCUMENTATION

05						 Ammeraal Beltech <i>Innovation & Service in Belting</i>
04						
03						
02						
01	FINAL		P.H.		05-12-2017	
NR.	REVISION DESCRIPTION		DRWN.	APPR.	DATE	
TITLE: T10 PROFILE			ASSEMBLY NUMBER: N.A.		SCALE: 1:2	DATE: 5-12-2017
			SHEET NUMBER: 1 / 1		UNIT: mm	REVISION: 01
SURFACE TREATMENT: N.A.					DRAWN: P.HULSKAMP	SIZE: A3
COLOUR: N.A.			THICKNESS: N.A. μm		DWGNR: GEN0009-T10	