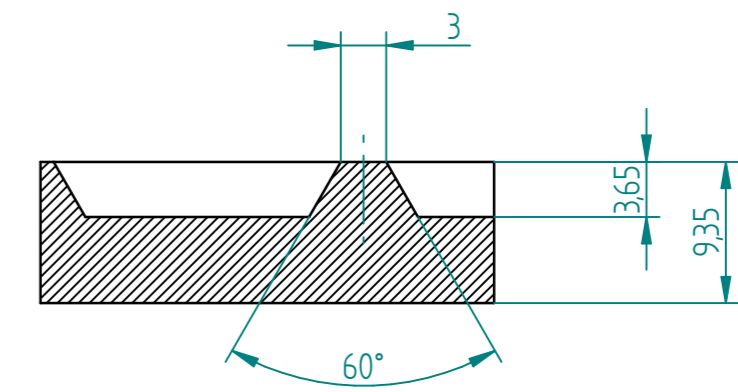
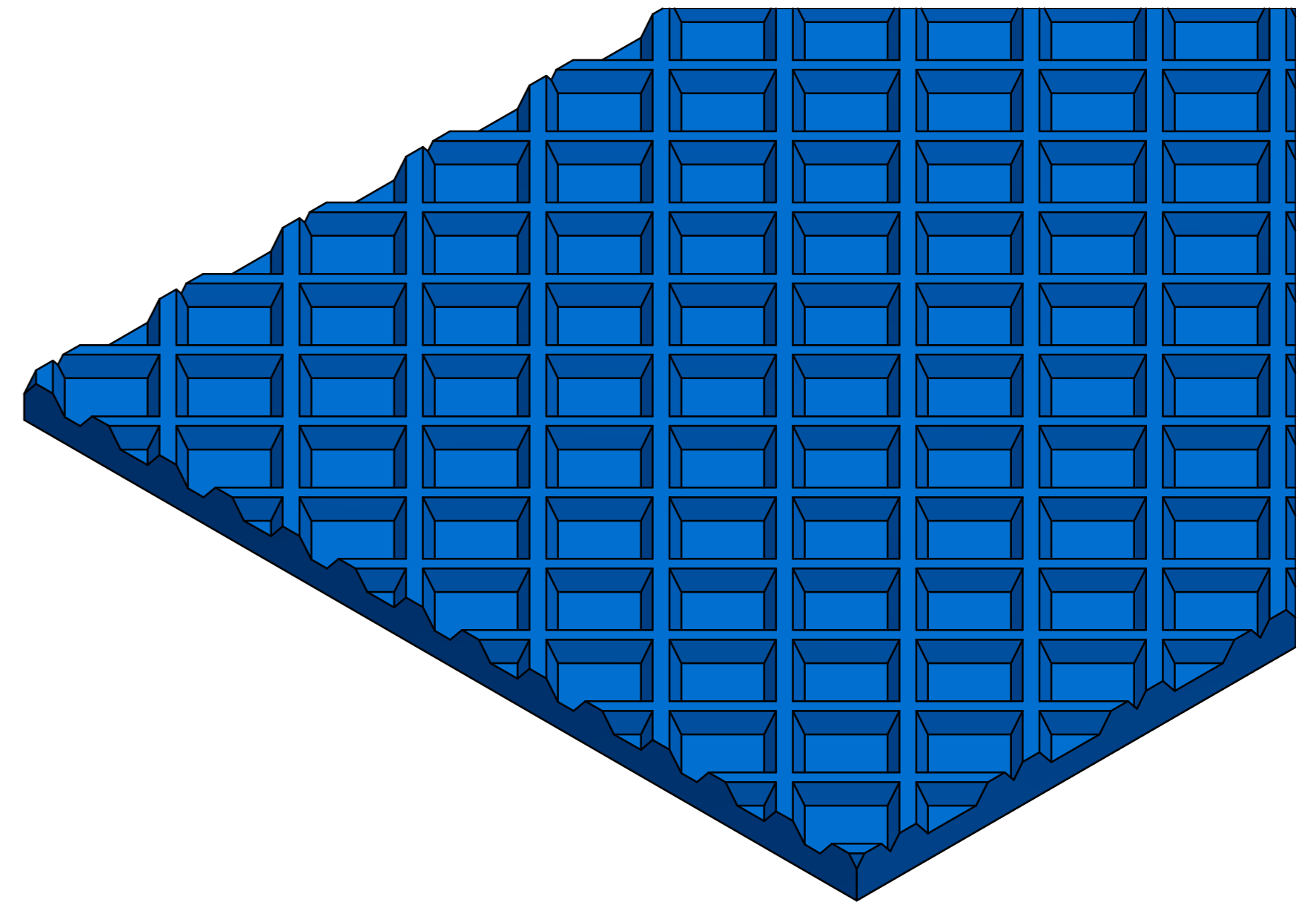
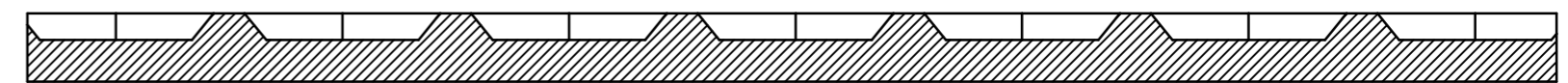


REMARK: DIMENSIONS ARE TAKEN FROM BELT SAMPLE



SECTION A-A
SCALE 2:1



SECTION B-B
SCALE 1:1

05					
04					
03					
02					
01	FINAL	P.H.	05-12-2017		
NR.	REVISION DESCRIPTION	DRWN/ APPR.	DATE		
TITLE:		ASSEMBLY NUMBER:		SCALE: 1:1	DATE: 5-12-2017
A79 DIAMOND		N.A.		UNIT: mm	REVISION: 01
SURFACE TREATMENT:		SHEET NUMBER: 1 / 1		DRAWN: P.HULSKAMP	SIZE: A2
COLOUR: N.A.		THICKNESS: N.A.		DWG NR: GEN0009-A79	
				µm	

