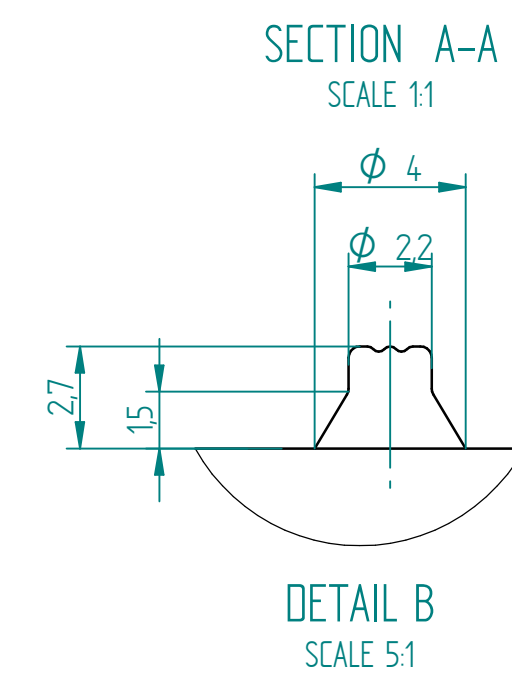
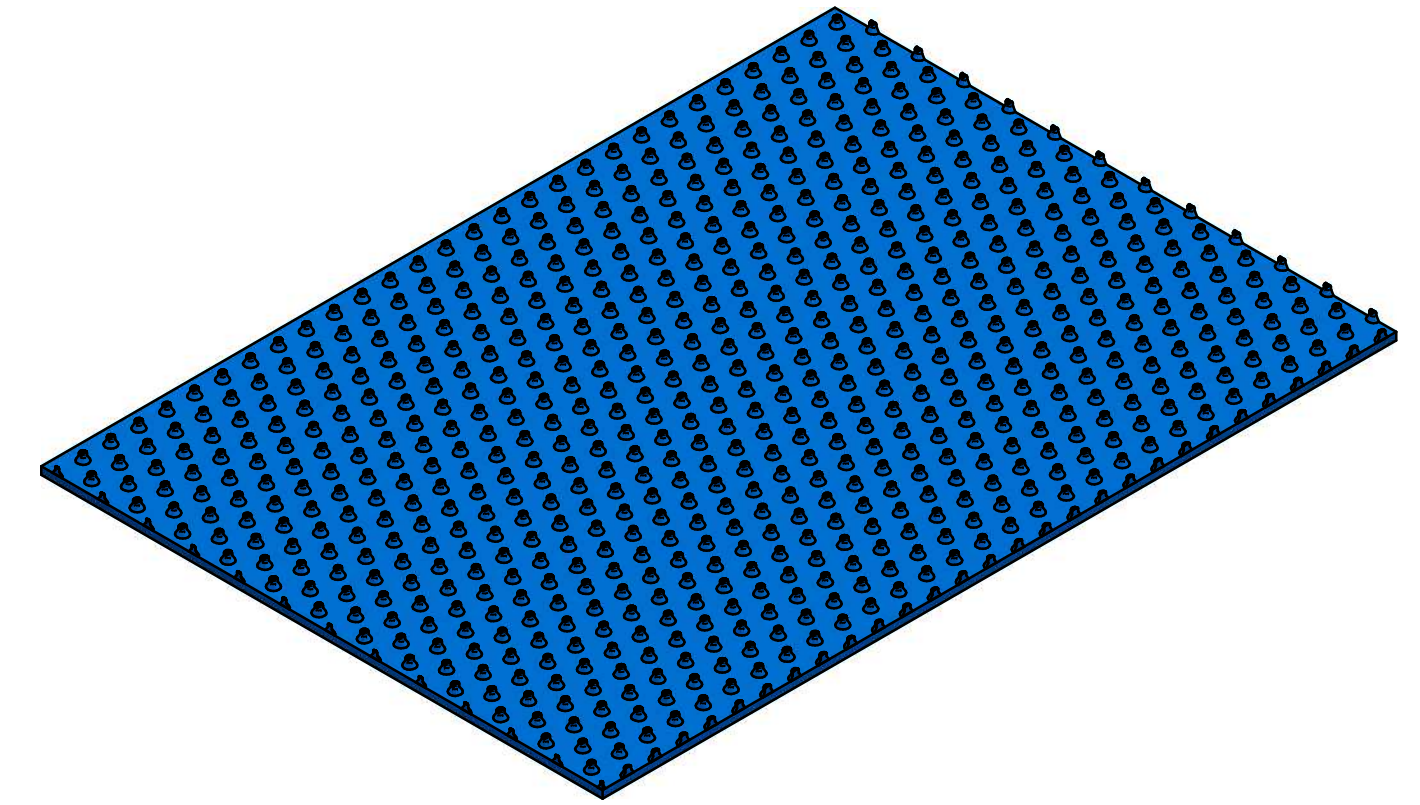


REMARK: DIMENSIONS ARE TAKEN FROM BELT SAMPLE



05					
04					
03					
02					
01	FOR REVIEW	P.H.	27-06-2017		
NR.	REVISION DESCRIPTION	DRWN/ APPR.	DATE		
TITLE: A5 CONE PROFILE		ASSEMBLY NUMBER: N.A.		SCALE: 1:1	DATE: 27-6-2017
SURFACE TREATMENT:		SHEET NUMBER: 1 / 1		UNIT: mm	REVISION: 01
COLOUR: N.A.		THICKNESS: N.A.		DWGNR: GEN0009-A5	SIZE: A2

