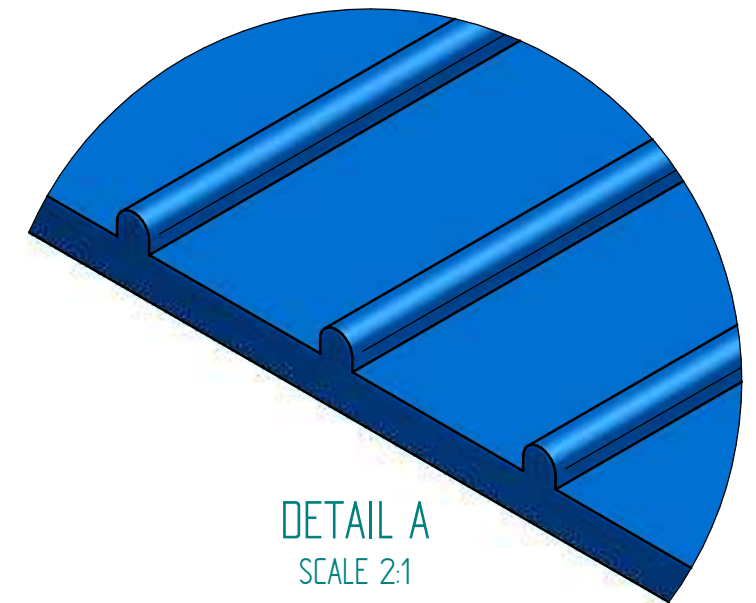
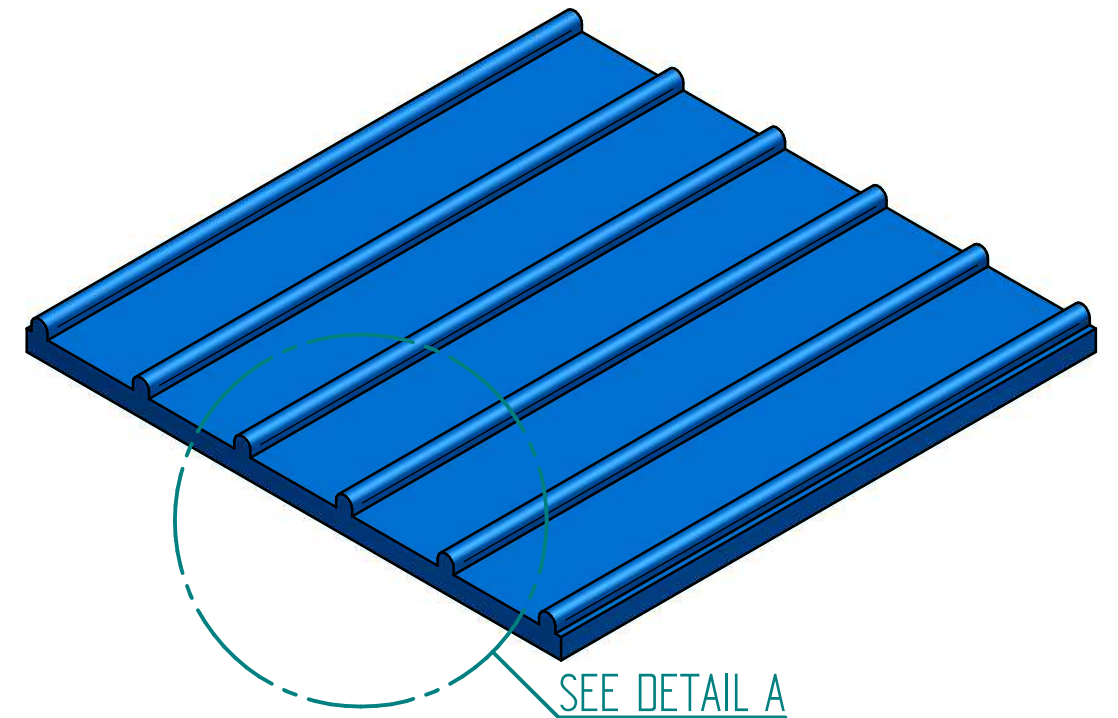


SECTION B-B
SCALE 1:1



REMARK: DIMENSIONS ARE TAKEN FROM BELT SAMPLE

05						
04						
03						
02						
01	FINAL		P.H.		08-09-2017	
NR.	REVISION DESCRIPTION		DRWN.	APPR.	DATE	
TITLE: A33 SIMCORAMIC PROFILE			ASSEMBLY NUMBER: N.A.		SCALE: 1:1	DATE: 8-9-2017
			SHEET NUMBER: 1 / 1		UNIT: mm	REVISION: 01
SURFACE TREATMENT: N.A.					DRAWN: P.HULSKAMP	SIZE: A3
COLOUR: N.A.		THICKNESS: N.A.		DWG NR: GEN0009-A33		