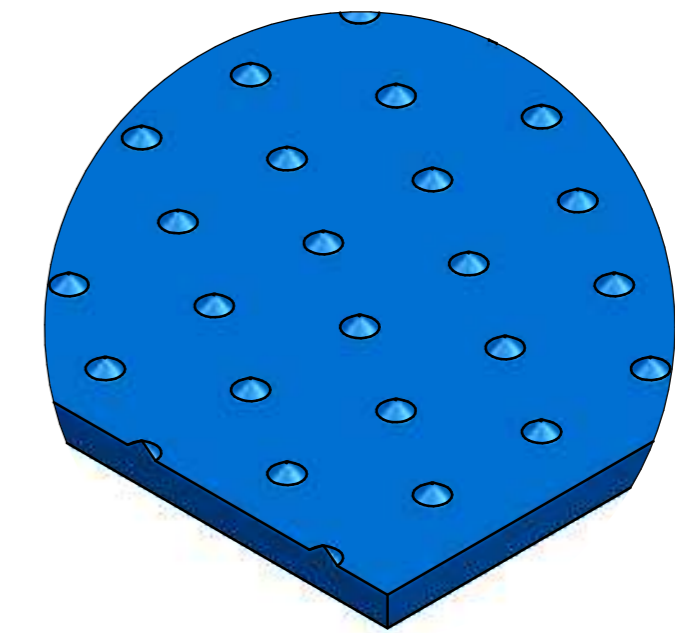


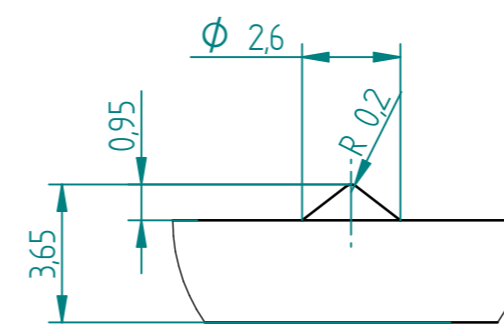
SEE DETAIL B



DETAIL B
SCALE 2:1



SECTION A-A
SCALE 1:1



DETAIL C
SCALE 5:1

REMARK: DIMENSIONS ARE TAKEN FROM BELT SAMPLE

05					
04					
03					
02					
01	FINAL	P.H.	05-07-2017		
NR.	REVISION DESCRIPTION	DRWN/ APPR.	DATE		
TITLE: A16 NIPPLE 1,5mm PROFILE		ASSEMBLY NUMBER: N.A.		SCALE: 1:1	DATE: 5-7-2017
SURFACE TREATMENT: N.A.		SHEET NUMBER: 1 / 1		UNIT: mm	REVISION: 01
COLOUR: N.A.		THICKNESS: N.A.		DWGNR: GEN0009-A16	SIZE: A2

