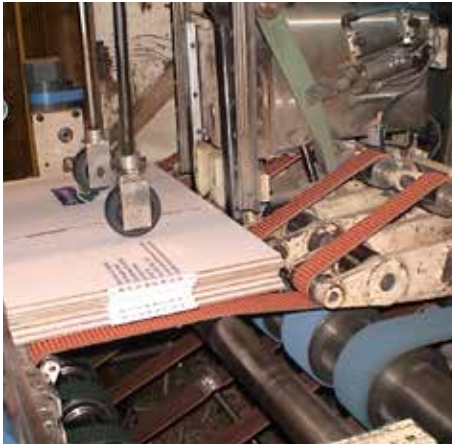


Flexo Folder Gluers – Case Makers



Your production process

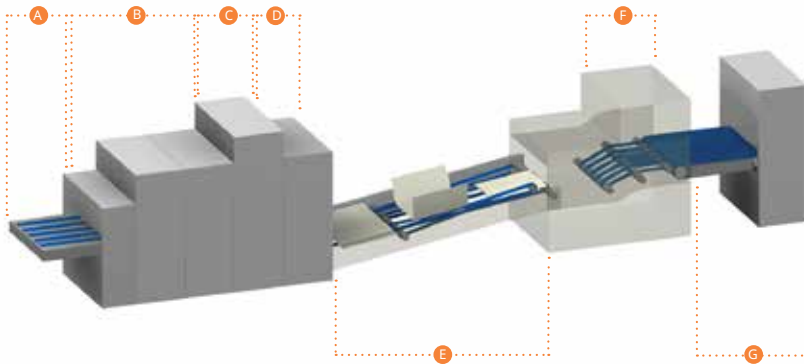
- A Pre-feeder unit**
- B Printing unit**
Special engineered belts for 4-color printing units

- C Slotter Creaser unit**
- D Rotary die cutting unit**
- E Folder**

Transfer cars

- F Counter collector / eject**
Demands strong and stable belts with abrasion resistant coatings. A high friction covers guarantees smooth feeding of the cardboard boxes through the counter collector and eject section. Anti-static properties can reduce dust accumulation.

- G Delivery/ Strapping**
Waste conveyor



Flexo Folder Gluers – Case Makers

Positive feed of blanks and extended service life



Pletex long life covers offer better value for money:

- Smooth or profiled covers assist the positive positioning of blanks.
- Thermo welded splice provides long service life; no need for mechanical fasteners.
- Secure easy and fast splicing with QuickSplice tools, without external assistance.
- Excellent tracking belts to speed up production.
- Wear resistance and permanent grip.

Continuous undisturbed folding process



ZipLink® innovative 'easy splice' range increases productivity:

- Seamless, quick and easy joining whilst maintaining 100% of belt strength.
- Reduce equipment wear and operational cost.
- Positive hold and non-marking of blanks.
- Carboxylated Nitrile XNBR and Natural Rubber covers provide excellent wear and grip properties.
- Perfectly suited for vacuum supported and twisted conveyor designs.

Increase plant productivity and efficiency
Accurate folding, no marking of blanks – less waste, higher production throughput
Extended service life, significant cost savings
Less maintenance, reduced operational costs

Just some examples of typical areas of concern in your business. Contact Ammeraal Beltech and find out the best belting solution to improve the efficiency in your production process.

Ammeraal Beltech offers solutions for the corrugated manufacturing process, the work storage area and converting. Plastic uni modular belts for paper reel handling and stack transportation systems, process belts for use on corrugator machines and special process belts for converting.



Expert advice and quality solutions for all your belting needs.
ammeraalbeltech.com

Ammeraal Beltech
 Ammeraal Beltech Inc.
 Skokie, Illinois

T +1 800 533 3765
info-us@ammeraalbeltech.com

ammega.com