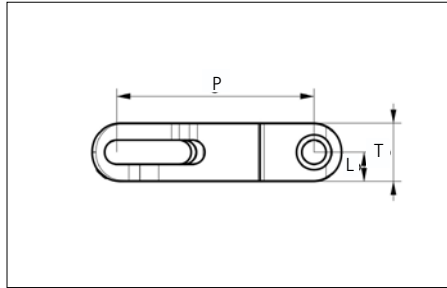
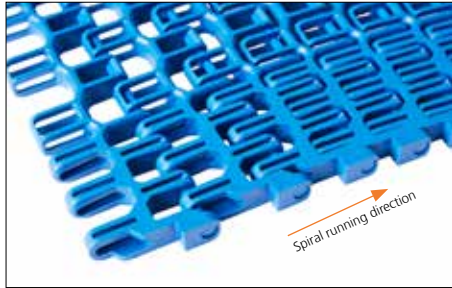




Plastic Modular Belt

Series **uni Flex L-OSB Direct Drive** Type **65% Open**



Sideflexing belt
 Nominal pitch: 50.8 mm (2.00 in)
 Surface type: Open
 Surface opening: 65%
 Backflex radius: 65.0 mm (2,56 in)
 Pin diameter: 6.0 mm (0.24 in)
 The usable collapse factor depends on the belt width

| | | | | | | | |
|-------------------------------|----------------|-------------|------|------|---|------|------|
| Belt material & color | POM-D B | | mm | in | | mm | in |
| | | P (Nominal) | 50.8 | 2.00 | T | 15.0 | 0.59 |
| Pin and lock material & color | PA6.6 B | L | 7.5 | 0.29 | - | - | - |

Non standard material and color: See uni Material and Color Overview.
 Alternative pin and lock systems and materials: Contact Customer Service.

| Belt width | | Permissible tensile force (Belt/pin material) | | | | Belt weight (Belt/pin material) | | *Min. no. drive sprocket per shaft | Number of wear strips (Min. No.) | |
|------------|------|---|------|----------------|-----|---------------------------------|-------|------------------------------------|----------------------------------|--------------|
| | | POM-D/PA6.6 | | | | POM-D/PA6.6 | | | Carry (pcs) | Return (pcs) |
| | | Straight sections | | Curve sections | | kg/m | lb/ft | | | |
| mm | in | N | lbf | N | lbf | kg/m | lb/ft | | | |
| 608 | 23.9 | 8579 | 1929 | 2500 | 562 | 3.9 | 2.63 | 5 | 3 | 3 |
| 659 | 25.9 | 9110 | 2048 | 2500 | 562 | 4.2 | 2.85 | 5 | 3 | 3 |
| 710 | 28.0 | 9640 | 2167 | 2500 | 562 | 4.6 | 3.07 | 5 | 3 | 3 |
| 761 | 30.0 | 10171 | 2286 | 2500 | 562 | 4.9 | 3.29 | 7 | 3 | 3 |
| 811 | 31.9 | 10691 | 2403 | 2500 | 562 | 5.2 | 3.51 | 7 | 3 | 3 |
| 862 | 33.9 | 11221 | 2523 | 2500 | 562 | 5.6 | 3.73 | 7 | 3 | 3 |
| 913 | 35.9 | 11751 | 2642 | 2500 | 562 | 5.9 | 3.95 | 7 | 3 | 3 |
| 964 | 38.0 | 12282 | 2761 | 2500 | 562 | 6.2 | 4.17 | 7 | 3 | 3 |
| 1014 | 39.9 | 12802 | 2878 | 2500 | 562 | 6.5 | 4.39 | 7 | 3 | 3 |
| 1065 | 41.9 | 13332 | 2997 | 2500 | 562 | 6.9 | 4.61 | 9 | 3 | 3 |
| 1116 | 43.9 | 13863 | 3116 | 2500 | 562 | 7.2 | 4.83 | 9 | 4 | 4 |
| 1167 | 45.9 | 14393 | 3236 | 2500 | 562 | 7.5 | 5.05 | 9 | 4 | 4 |
| 1217 | 47.9 | 14913 | 3352 | 2500 | 562 | 7.8 | 5.27 | 9 | 4 | 4 |
| 1268 | 49.9 | 15443 | 3472 | 2500 | 562 | 8.2 | 5.49 | 9 | 4 | 4 |
| 1319 | 51.9 | 15974 | 3591 | 2500 | 562 | 8.5 | 5.71 | 9 | 4 | 4 |
| 1370 | 53.9 | 16504 | 3710 | 2500 | 562 | 8.8 | 5.93 | 11 | 4 | 4 |
| 1420 | 55.9 | 17024 | 3827 | 2500 | 562 | 9.1 | 6.15 | 11 | 4 | 4 |
| 1471 | 57.9 | 17555 | 3946 | 2500 | 562 | 9.5 | 6.37 | 11 | 4 | 4 |
| 1522 | 59.9 | 18085 | 4066 | 2500 | 562 | 9.8 | 6.59 | 11 | 4 | 4 |

Additional non-standard belt widths are available upon request.
 General belt tolerance is +0/-0.4% at 23°C/73°F. For exact belt width contact Customer Service.
 *Max. Load per Drive Sprocket. Belt material: POM-D 1000 N (225 lbf).
 Belt needs support rollers or flanged rollers at each belt edge for support.

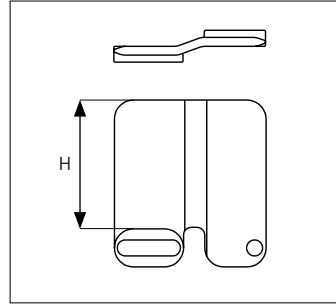
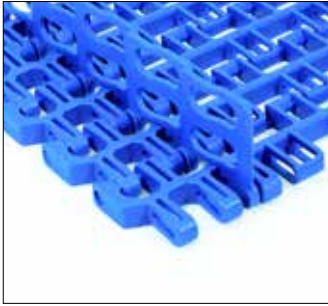


Member of Ammega Group.
 ammega.com

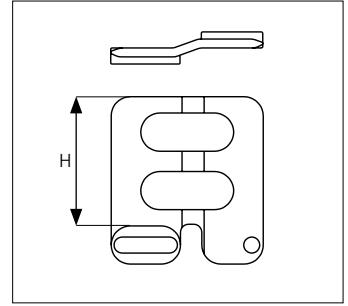
STANDARD
 SIDE FLEXING
 PITCH 50.8 MM/2.00 IN

Accessories

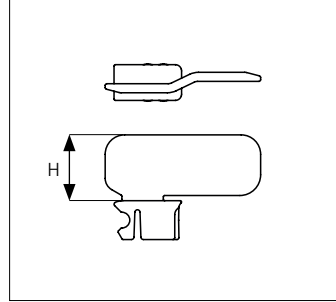
Side Guard Closed



Side Guard Open



Side Guard Snap-On Closed



| Type | Material & color | H | |
|---------------------------|------------------|------|------|
| | | mm | in |
| Side Guard Closed | POM-D B | 10.0 | 0.39 |
| | | 25.4 | 1.00 |
| | | 50.0 | 1.97 |
| Side Guard Open | | 50.0 | 1.97 |
| Side Guard Snap-On Closed | | 25.4 | 1.00 |

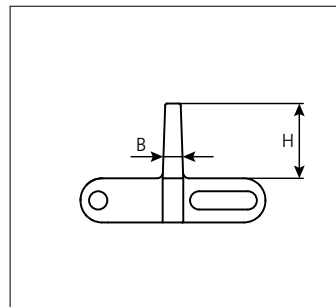
Indent for Side Guard Open: 55.0 mm (2.17 in) or 80.0 mm (3.15 in).

Min indent for Side Guard Snap-On Closed: 175.0 mm (6.89 in) and Increment 50.8 mm (2.00 in).

Non Standard material and color: See uni Material and Color Overview.

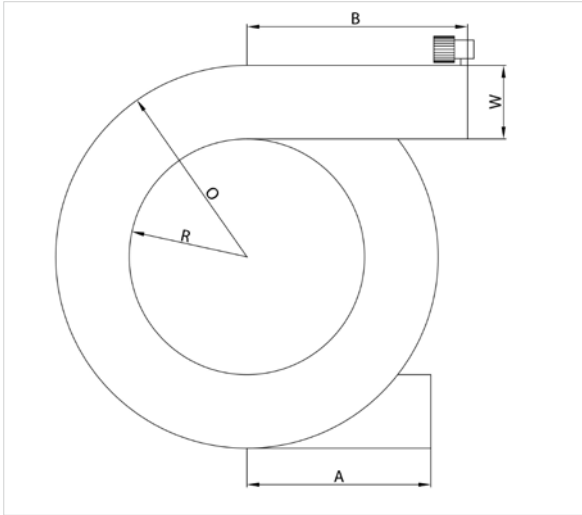
Accessories

Flight



| Type | Flight Material & color | B | | H | | Link size | Width | |
|------|-------------------------|-------|------|------|------|-----------|-------|------|
| | | mm | in | mm | in | | mm | in |
| Flat | POM-D B | 10.85 | 0.20 | 25.4 | 1.00 | K300 | 76.2 | 3.00 |

Design Guidelines

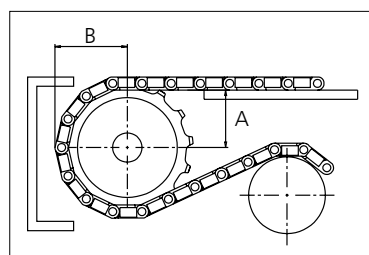
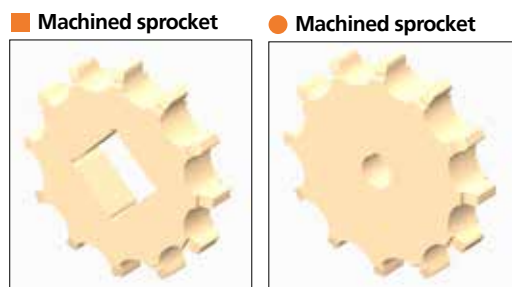


| uni Flex L-OSB Direct Drive 65% Open Radius Min. Collapse Factor | |
|---|-------------------------|
| A | min. 1.5 x W |
| B | min 2.0 x W |
| R | R = Collapse Factor x W |
| O | O = R + W |
| W | Belt width |

| Belt width | | Min. drum diameter | | Min. Collapse Factor |
|------------|------|--------------------|-------|----------------------|
| mm | in | mm | in | |
| 608 | 23.9 | 1946 | 76.6 | 1.60 |
| 659 | 25.9 | 2109 | 83.0 | 1.60 |
| 710 | 28.0 | 2272 | 89.4 | 1.60 |
| 761 | 30.0 | 2510 | 98.8 | 1.65 |
| 811 | 31.9 | 2676 | 105.4 | 1.65 |
| 862 | 33.9 | 2845 | 112.0 | 1.65 |
| 913 | 35.9 | 3104 | 122.2 | 1.70 |
| 964 | 38.0 | 3278 | 129.1 | 1.70 |
| 1014 | 39.9 | 3448 | 135.7 | 1.70 |
| 1065 | 41.9 | 3621 | 142.7 | 1.70 |
| 1116 | 43.9 | 3794 | 149.4 | 1.70 |
| 1167 | 45.9 | 3968 | 156.2 | 1.70 |
| 1217 | 47.9 | 4138 | 162.9 | 1.70 |
| 1268 | 49.9 | 4311 | 169.7 | 1.70 |
| 1319 | 51.9 | 4748 | 186.9 | 1.80 |
| 1370 | 53.9 | 4932 | 194.2 | 1.80 |
| 1420 | 55.9 | 5112 | 201.3 | 1.80 |
| 1471 | 57.9 | 5296 | 208.5 | 1.80 |
| 1522 | 59.9 | 5480 | 215.7 | 1.80 |

Sprocket

| No. of teeth | Bore size | | | | | | | | Overall diameter | | Pitch diameter | | Hub diameter | | Dimension A | | Dimension B | | Single row/Two way | Machined | PAG |
|--------------|------------|------|------|------|------|------|------|------|------------------|------|----------------|------|--------------|------|-------------|------|-------------|------|--------------------|----------|-----|
| | Pilot Bore | in | 1.00 | 1.18 | 1.25 | 1.50 | 1.57 | 2.50 | | | | | | | | | | | | | |
| | mm | 25.4 | 30.0 | 31.8 | 38.1 | 40.0 | 63.5 | mm | in | mm | in | mm | in | mm | in | | | | | | |
| Z08 | ✓ | | ● | ● | | | ● | | 134.6 | 5.30 | 131.5 | 5.18 | 107.6 | 4.23 | 54.4 | 2.15 | 74.9 | 2.95 | ✓ | ✓ | |
| Z10 | ✓ | | ● | ● | ● | | ● | | 168.3 | 6.63 | 164.0 | 6.46 | 141.3 | 5.56 | 71.4 | 2.81 | 90.8 | 3.57 | ✓ | ✓ | |
| Z12 | ✓ | | ● | | ● | ● | ● | ■ | 203.5 | 8.01 | 196.5 | 7.74 | 176.5 | 6.94 | 88.2 | 3.47 | 106.8 | 4.20 | ✓ | ✓ | |
| Z15 | ✓ | | ● | | ● | ● | ● | ■ | 253.4 | 9.98 | 245.4 | 9.66 | 226.4 | 8.91 | 113.2 | 4.46 | 131.0 | 5.16 | ✓ | ✓ | |



Other sprocket sizes are available upon request
 Two-part sprocket are available upon request
 Other bore sizes are available upon request
 uni Retainer Rings: See uni Retainer Ring data sheet
 Width of tooth = 27.0 mm (1.06 in)
 Width of sprocket = 40.0 mm (1.57 in)

Max. load per sprocket shown does not take bore size into account.
 Please also ensure that sufficient size shaft is chosen for corresponding load.

For correct sprocket position: See uni Assembly Instructions for uni Flex L-OSB Direct Drive.
 Due to belt construction sprocket positioning close to belt edge is not possible, use rollers to support belt edges.
 For more detailed sprocket information, contact Customer Service.



Non standard material and color: See uni Material and Color Overview.

uni Flex L-OSB 65% Open Direct Drive/2023.03.31



Expert advice and quality solutions for all your belting needs.
 ammeraalbeltech.com

Ammeraal Beltech Modular A/S
 Hjulmagervej 21
 DK-7100 Vejle
 T +31 7572 3100

ammega.com

This information is subject to alteration due to continuous development. Ammeraal Beltech will not be held liable for the incorrect use of the above stated information. This information replaces previous information. All activities performed and services rendered by Ammeraal Beltech are subject to general terms and conditions of sale and delivery, as applied by its operating companies.

Member of Ammega Group.