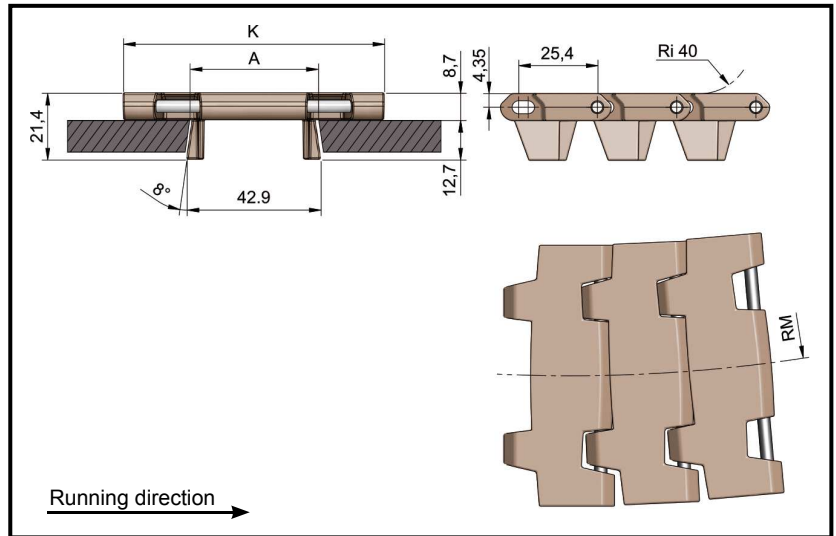
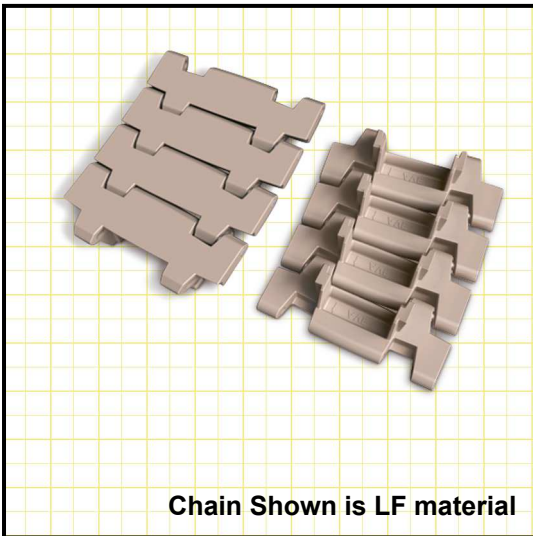
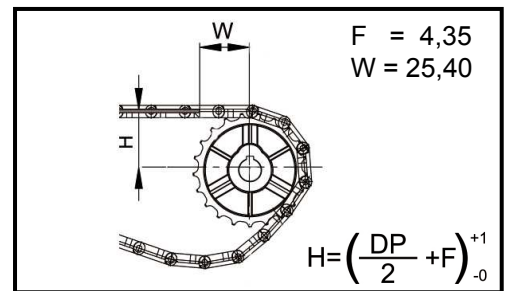


SERIE 7253



COD.	K		Kg/m	Open Surface	RM (mm)	*Ri (mm)
	mm	inch				
** 725301	83,7	3,3	1,10	0%	500	40

* Ri: Back-flex Radius

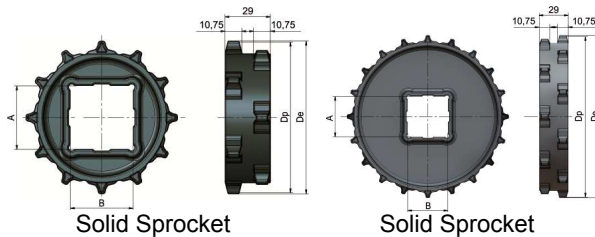


** Prefix	Chain material	Color	Ø Pin (mm)	Standard Pin Material	Minimum Temperature	Maximum Temp.		TT N	FDA Approval
						Dry enviroment	Wet enviroment		
LF	Acetal-LF	Brown	4	SS304	-40	+85	+70	3100	✓
KV ●	Acetal-Kevlar	Grey							-

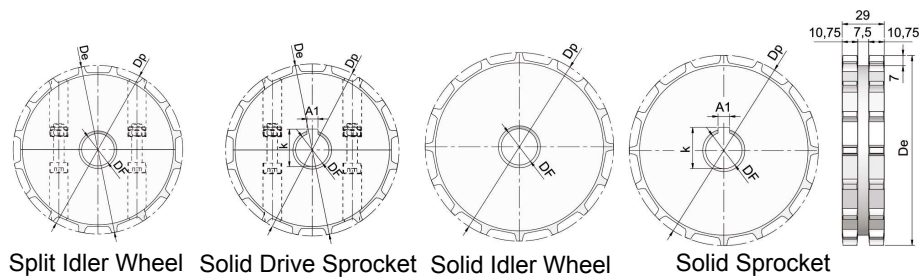
Available types

Z	Ø De	Ø Dp
12	97	94,45

Z	Ø De	Ø Dp
20	162,5	159,95



Z	Ø De	Ø Dp
12	97	98,15
16	130	130,2
18	146	146,28
19	154,5	154,33
20	162,5	162,38
21	170,5	170,4



Remarks

- Standard packaging 3,048m 10ft.
- ● Made to order
- LF Standard Production
- Other materials available under request